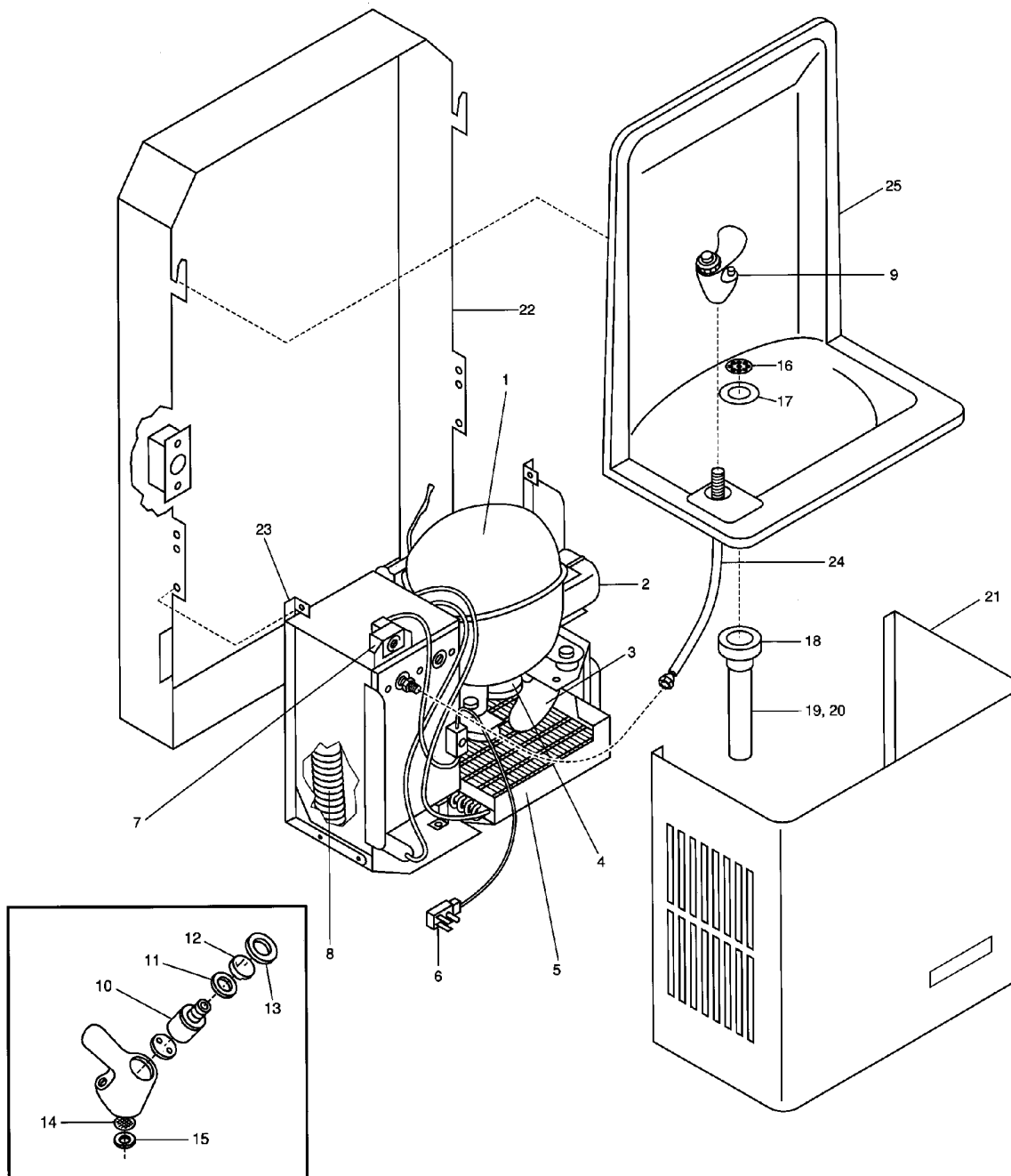


WALL MOUNTED WATER COOLER

SRC-8 & SRC-12



View A

Exploded View of Item #9

Instructions for changing the Cartridge in A020038 (Lead Free)

1. Turn off water shut-off valve
2. Unscrew hex nut
3. Remove button
4. Remove retaining nut with spanner wrench
5. Remove Cartridge and gasket
6. Insert new cartridge
7. Reassemble reversing above sequence

Parts List for Water Cooler Models: SRC-8 & SRC-12

ITEM	PART NUMBER	DESCRIPTION
1	AA00005-SP	Compressor 1/5 h.p.
	AA00027-SP	Compressor 115V (uses Spade Connections)
2	AA00005-T1	Overload
	AA00005-T2	Relay
	C026403-10	Relay MRP26ALL-69 (uses Spade Connections)
	C026411-06	Overload 9660-042-166 (uses Spade Connections)
3	C026053	Fan Blade
	D036186-02	Fan Motor (uses Spade Connections)
4	B153475	Fan Motor (eyelet)
5	C026226	Condenser
6	C026392-01	Wiring Harness (uses Spade Connections)
	C026382-04	16" Wire Assembly
	B153391	Wiring Harness (eyelet)
7	C026376-03	Cold Thermostat
	A016241	Cold Thermostat (eyelet)
8	323-SP	Evaporator
9	B153425-01	Bubbler
10	B153468-01	Cartridge
11	A020957	Retainer Nut
12	A016649	Chrome Cap
13	A016648	Chrome Nut
14	A018782	Screen
15	A021095	Washer
16	A016876	Drain Grid
17	A015982	Drain Washer
18	A015891	Drain Fitting
19	A015981	Drain SRC-8
20	B153754-SP	Precooler SRC-12
21	D035711-19	Apron Pewter
	D035711-31	Apron Stainless Steel
22	14660000	Mounting Box
23	B153366-34	Hanger Bracket
24	A015786-SP	Cold Water Line
25	D035526	Basin

NOTE: Contact service department for information on compressors not shown on this page. This sheet cancels all previous lists for this model.