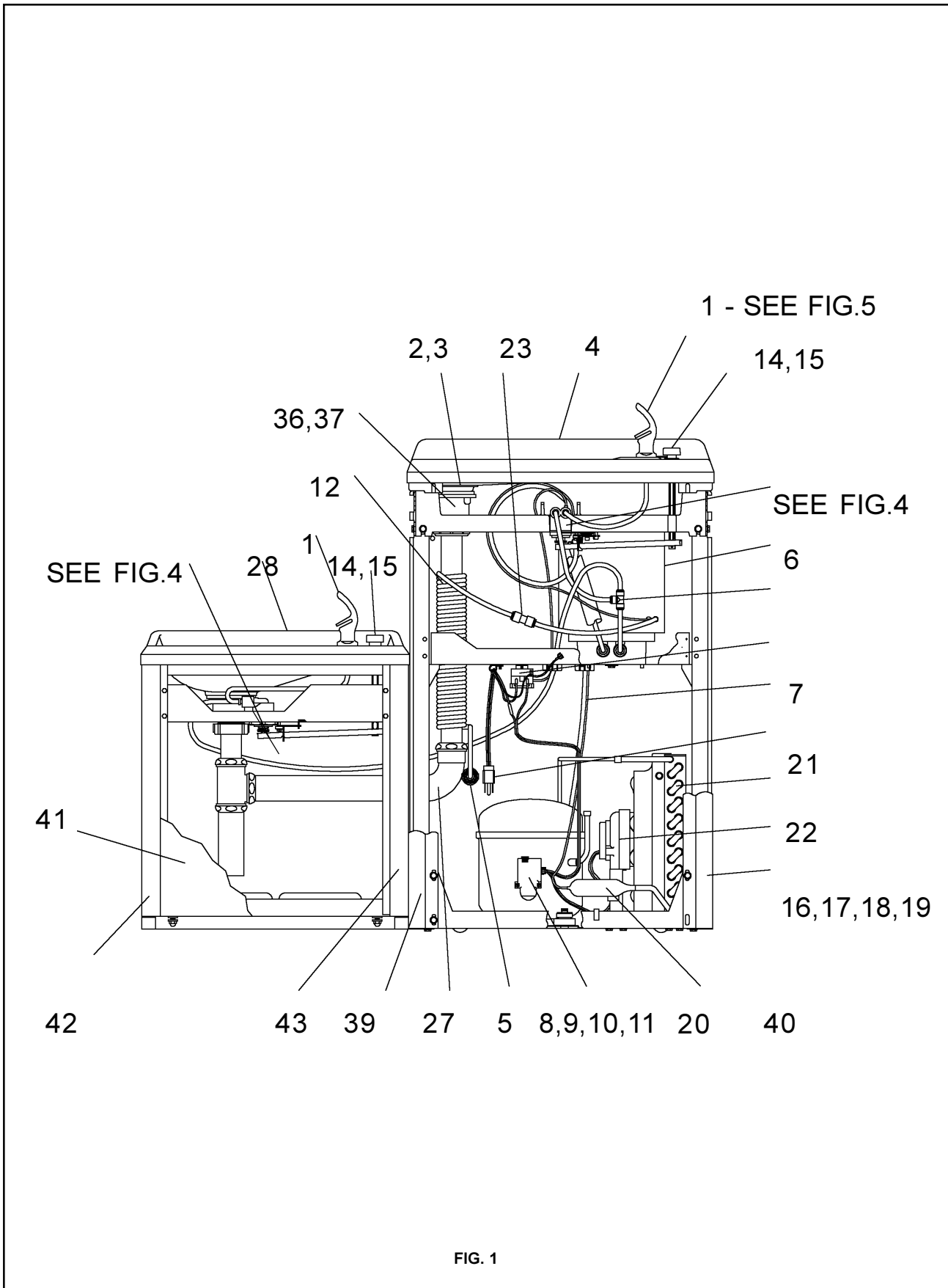


# HALSEY TAYLOR OWNERS MANUAL

USES HFC-134A REFRIGERANT



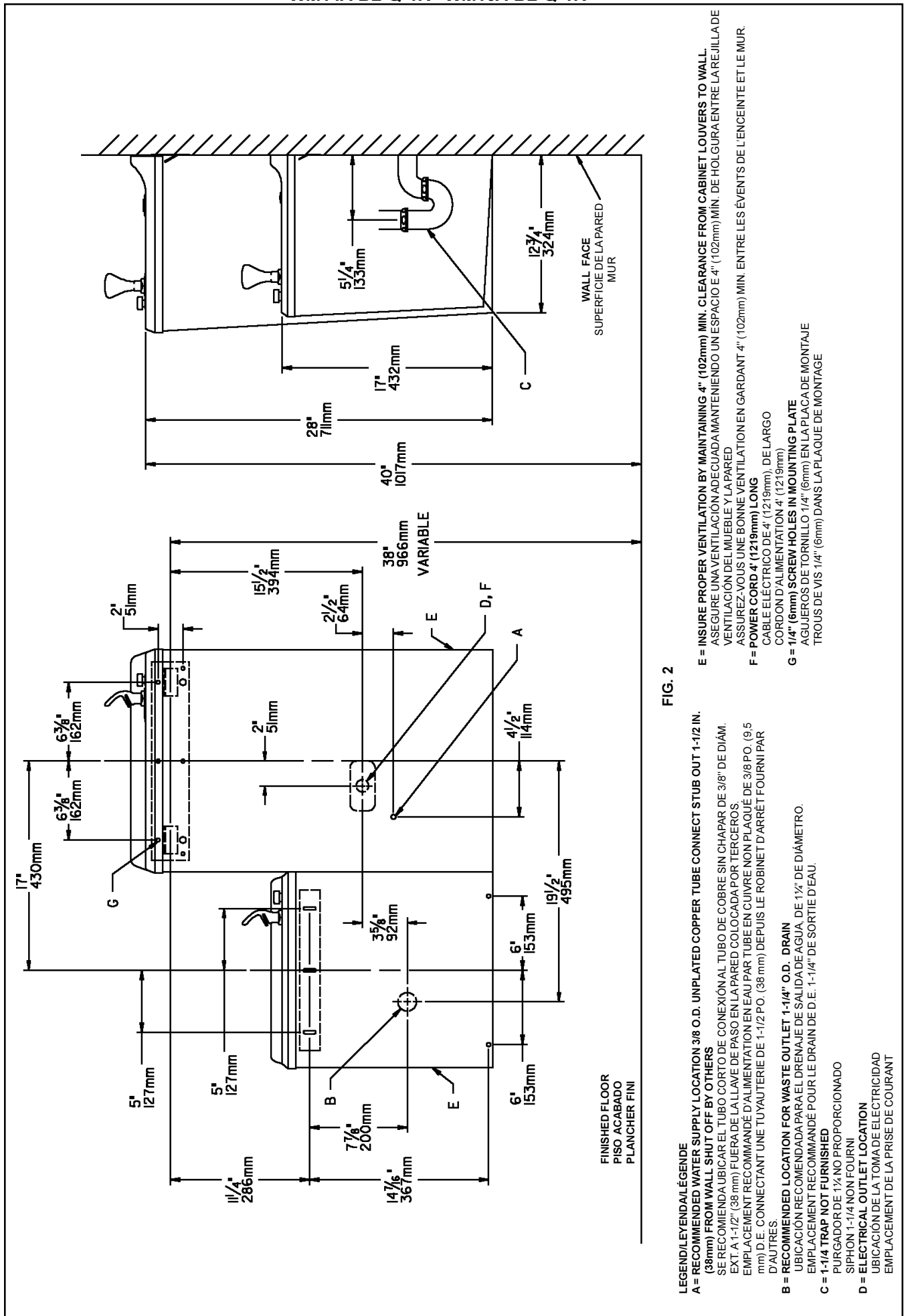


FIG. 2

**LEGEND/LEYENDA/LEGENDE**

**A = RECOMMENDED WATER SUPPLY LOCATION 3/8 O.D. UNPLATED COPPER TUBE CONNECT STUB OUT 1-1/2 IN. (38mm) FROM WALL SHUT OFF BY OTHERS**  
 SE RECOMIENDA UBICAR EL TUBO CORTO DE CONEXIÓN AL TUBO DE COBRE SIN CHAPAR DE 3/8" DE DIÁM. EXT. A 1-1/2" (38mm) FUERA DE LA PARED DE LA PARED COLOCADA POR TERCEROS.  
 EMPLACEMENT RECOMMANDÉ D'ALIMENTATION EN EAU PAR TUBE EN CUIVRE NON PLAQUÉ DE 3/8 PO. (9.5 mm) D.E. CONNECTANT UNE TUYAUTERIE DE 1-1/2 PO. (38 mm) DEPUIS LE ROBINET D'ARRÊT FOURNI PAR D'AUTRES.

**B = RECOMMENDED LOCATION FOR WASTE OUTLET 1-1/4" O.D. DRAIN**  
 UBICACIÓN RECOMENDADA PARA EL DRENAJE DE SALIDA DE AGUA DE 1 1/4" DE DIÁMETRO.  
 EMPLACEMENT RECOMMANDÉ POUR LE DRAIN DE D.E. 1-1/4" DE SORTIE D'EAU.

**C = 1-1/4 TRAP NOT FURNISHED**  
 PURGADOR DE 1 1/4 NO PROPORCIONADO  
 SIPHON 1-1/4 NON FOURNI

**D = ELECTRICAL OUTLET LOCATION**  
 UBICACIÓN DE LA TOMA DE ELECTRICIDAD  
 EMPLACEMENT DE LA PRISE DE COURANT

**E = INSURE PROPER VENTILATION BY MAINTAINING 4" (102mm) MIN. CLEARANCE FROM CABINET LOUVERS TO WALL.**  
 ASEGURE UNA VENTILACIÓN ADECUADA MANTENIENDO UN ESPACIO E 4" (102mm) MIN. DE HOLGURA ENTRE LA REJILLA DE VENTILACION DEL MUEBLE Y LA PARED  
 ASSUREZ-VOUS UNE BONNE VENTILATION EN GARDANT 4" (102mm) MIN. ENTRE LES ÉVÉNENTS DE L'ENCEINTE ET LE MUR.

**F = POWER CORD 4' (1219mm) LONG**  
 CABLE ELECTRICO DE 4' (1219mm), DE LARGO  
 CORDON D'ALIMENTATION 4' (1219mm)

**G = 1/4" (6mm) SCREW HOLES IN MOUNTING PLATE**  
 AGUJEROS DE TORNILLO 1/4" (6mm) EN LA PLACA DE MONTAJE  
 TROUS DE VIS 1/4" (6mm) DANS LA PLAQUE DE MONTAGE

WM14A-BL-Q\*1K WM16A-BL-Q\*1K  
PUSH BUTTON VALVE ADJUSTMENT

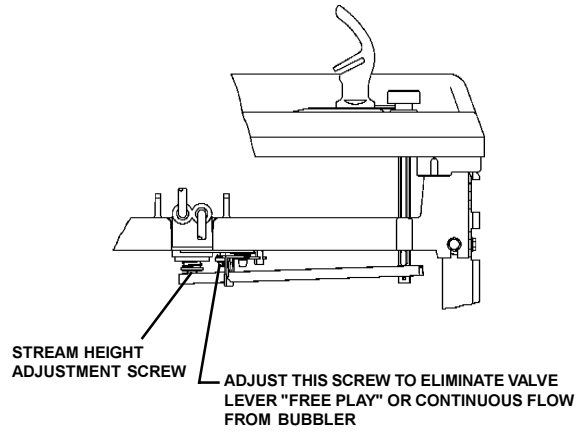


FIG. 3

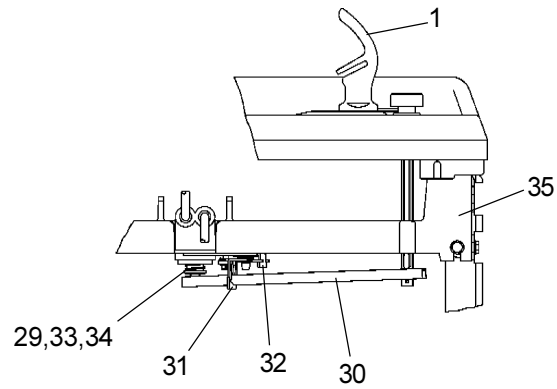
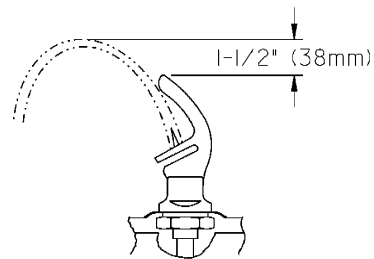


FIG. 4



CORRECT STREAM HEIGHT

FIG. 5

ITEMIZED PARTS LIST 115V

ITEM NO.	PART NO.	DESCRIPTION
1	51544C	Bubbler
2	102639931640	Drain Plug
3	160270508640	Strainer Plate
4	171454842590	Basin (Cooler)
5	55996C	Strainer
6	66327C	Evaporator
7	35839C	Cold Control
8*	35762C	Compressor Serv. Pak
9	31027C	Overload/Relay Assy
10	194243901550	Electrical Shield
11	35766C	Relay Cover
12	45701C	Precooler (Includes Items 36 & 37)
13	66252C	Condenser
14	101543431640	Cap Push Button
15	101507531550	Push Button Stem
16	31490C	Fan Motor
17	104209543730	Fan Blade
18	70018C	Fan Motor Nut
19	402672043730	Fan Motor Bracket
20	66202C	Drier
21	66245C	Heat Exchanger
22	31517C	Power Cord
23	70682C	Tee - 1/4
24	40602C	Valve Assy (Fountain)
25	601420251550	Valve Stem Assy
26	621595951550	Push Button Stem Assy
27	160747051550	Continuous Waste
28	171403742590	Basin (Fountain)
29	15005C	Regulator Retaining Nut
30	26860C	Regulator Lever
31	26861C	Pivot Bracket
32	26862C	Regulator Retaining Bracket
33	50986C	Regulator Holder
34	61314C	Regulator
35	55860C	Regulator Mounting Bracket
36	55885C	Nut 1-1/4 Slip Joint
37	55913c	Adaptor - Drain
38	See Table A	Panel - Front (Not Shown)
39	See Table A	Panel - Side (LH)
40	See Table A	Panel - Side (RH)
41	See Table B	Panel - Front BL
42	See Table B	Panel - Side (LH) BL
43	See Table B	Panel - Side (RH) BL

\*INCLUDES RELAY & OVERLOAD. IF UNDER WARRANTY, REPLACE WITH SAME COMPRESSOR USED IN ORIGINAL ASSEMBLY.

NOTE: All correspondence pertaining to any of the above water coolers or orders for repair parts MUST include Model No. and Serial No. of cooler, name and part number of replacement part.

COLOR TABLE - A

COLOR	ITEM 38	ITEM 39	ITEM 40
Platinum (PV)	401432248410	401471048410	401484048410
Almond (AV)	26874C	26886C	26879C
Slate (SV)	401432248440	401471048440	401484048440
Stainless Steel (SS)	401432242830	401471042830	401484042830

COLOR TABLE - B

COLOR	ITEM 41	ITEM 42	ITEM 43
Platinum (PV)	400810448410	401528248410	401528348410
Almond (AV)	26920C	26924C	26928C
Slate (SV)	400810448440	401528248440	401528348440
Stainless Steel (SS)	400810442830	401528248830	401528342830

**Halsey Taylor**  
 2222 CAMDEN COURT  
 OAK BROOK, IL 60523

PRINTED IN U.S.A.  
 IMPRESO EN LOS E.E.U.U.  
 IMPRIMÉ AUX E.-U.

www.DrinkingFountainDoctor.com

800-518-5388