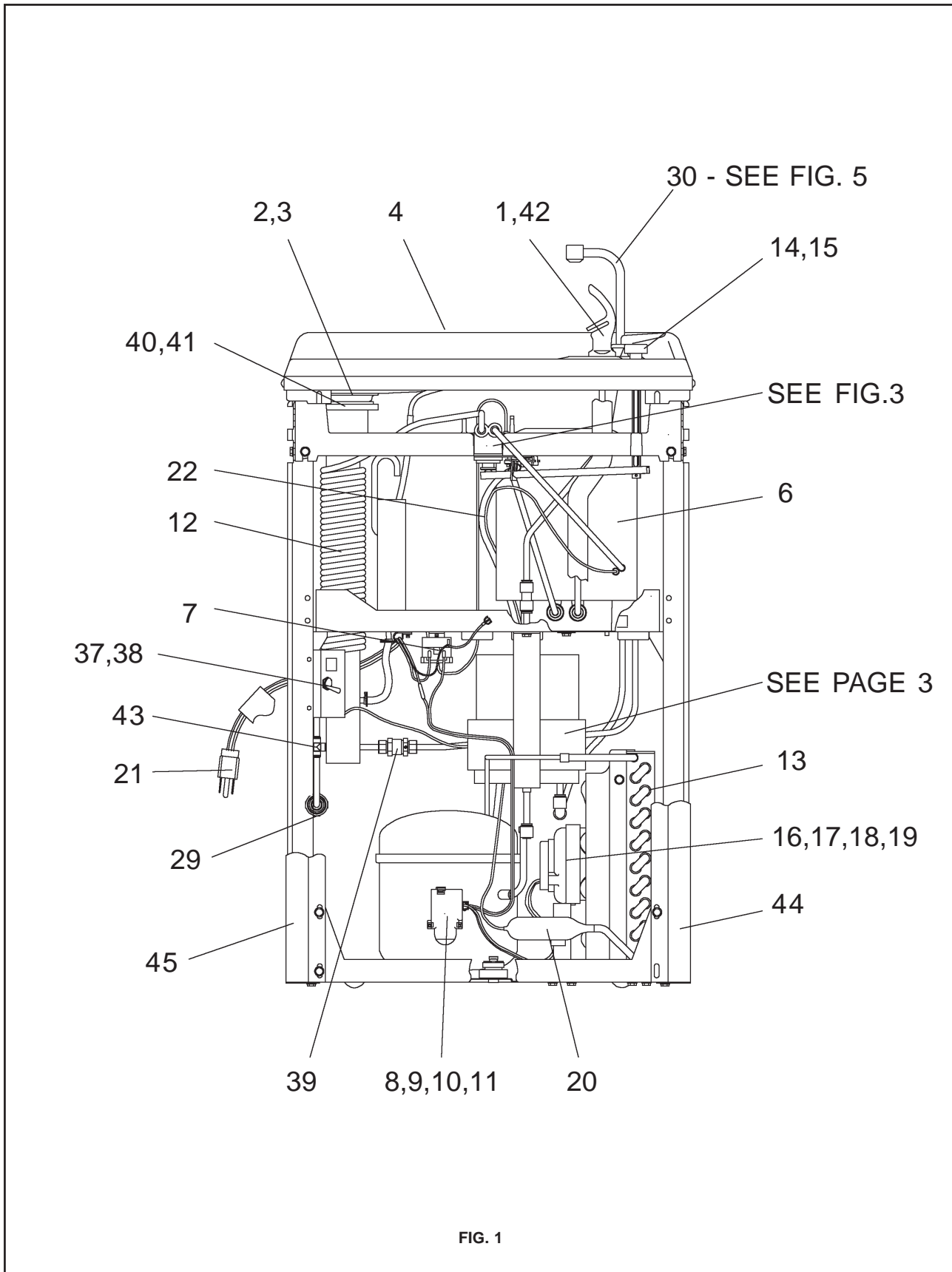


HALSEY TAYLOR OWNERS MANUAL

USES HFC-134A REFRIGERANT



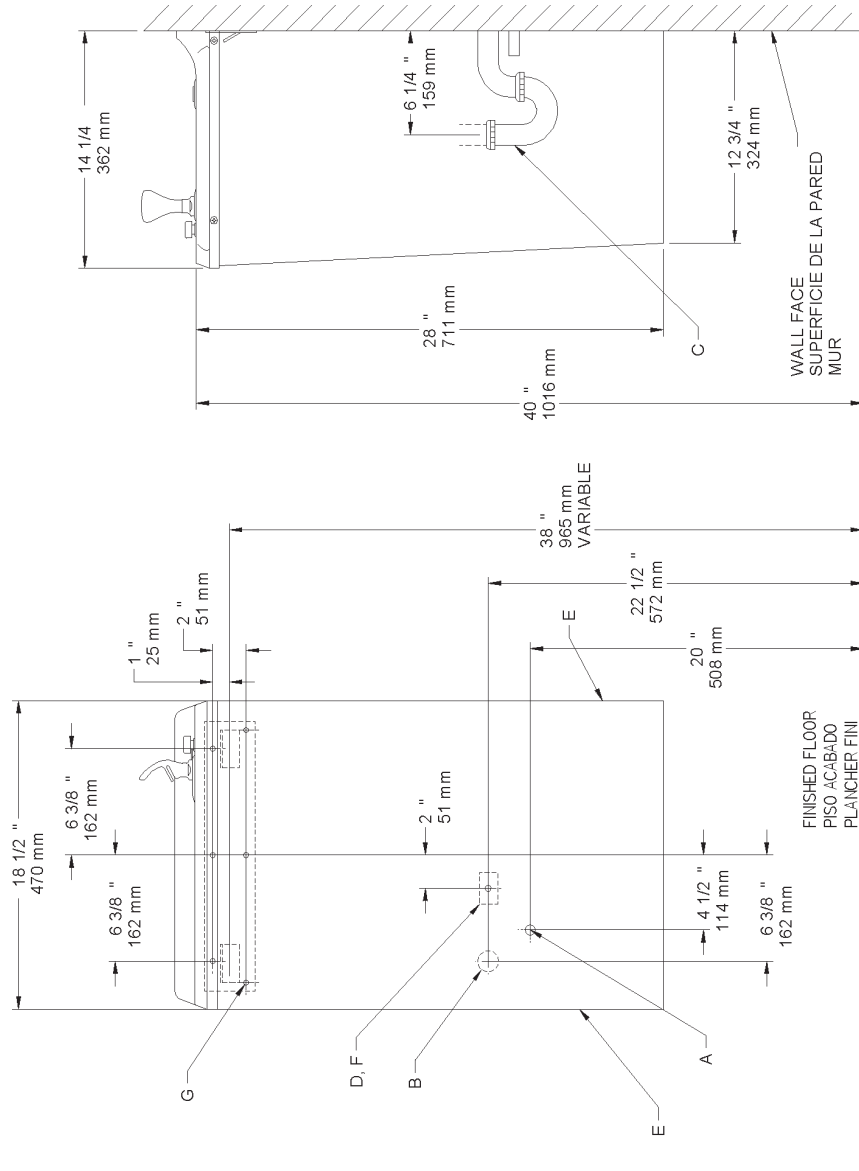


FIG. 2

LEGEND/LEYENDA/LÉGENDE

A = RECOMMENDED WATER SUPPLY LOCATION 3/8 O.D. UNPLATED COPPER TUBE CONNECT STUB OUT 1-1/2 IN. (38mm) FROM WALL SHUT OFF BY OTHERS

SE RECOMIENDA UBICAR EL TUBO CORTO DE CONEXIÓN AL TUBO DE COBRE SIN CHAPAR DE 3/8" DE DIÁM. EXT. A 1-1/2" (38 mm) FUERA DE LA LLAVE DE PASO EN LA PARED COLOCADA POR TERCEROS. EMBLACEMENT RECOMMANDÉ D'ALIMENTATION EN EAU PAR TUBE EN CUIVRE NON PLAQUÉ DE 3/8 PO. (9.5 mm) D.E. CONNECTANT UNE TUYAUTERIE DE 1-1/2 PO. (38 mm) DEPUIS LE ROBINET D'ARRÊT FOURNI PAR D'AUTRES.

B = RECOMMENDED LOCATION FOR WASTE OUTLET 1-1/4" O.D. DRAIN
UBICACIÓN RECOMENDADA PARA EL DRENAJE DE SALIDA DE AGUA, DE 1 1/4" DE DIÁMETRO.
EMPLACEMENT RECOMMANDÉ POUR LE DRAIN DE D.E. 1-1/4" DE SORTIE D'EAU.

C = 1-1/4 TRAP NOT FURNISHED
PURGADOR DE 1 1/4 NO PROPORCIONADO
SIPHON 1-1/4 NON FOURNI

D = ELECTRICAL OUTLET LOCATION
UBICACIÓN DE LA TOMA DE ELECTRICIDAD
EMPLACEMENT DE LA PRISE DE COURANT

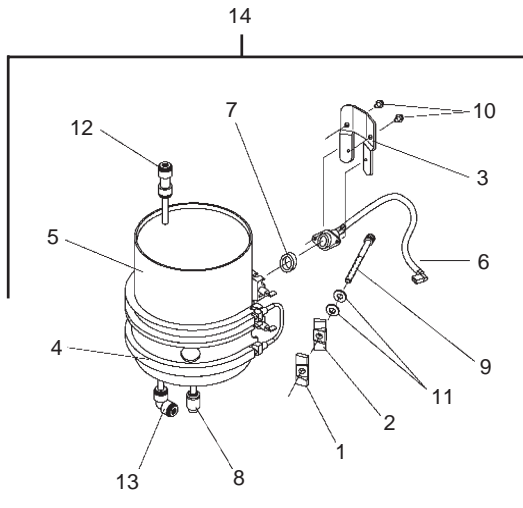
E = INSURE PROPER VENTILATION BY MAINTAINING 4" (102mm) MIN. CLEARANCE FROM CABINET LOUVERS TO WALL.
ASEGURE UNA VENTILACIÓN ADECUADA MANTENIENDO UN ESPACIO E 4" (102mm) MIN. DE HOLGURA ENTRE LA REJILLA DE VENTILACIÓN DEL MUEBLE Y LA PARED

F = POWER CORD 4' (1219mm) LONG
CABLE ELÉCTRICO DE 4' (1219mm), DE LARGO CORDON D'ALIMENTATION 4' (1219mm)

G = 1/4" (6mm) SCREW HOLES IN MOUNTING PLATE
AGUJEROS DE TORNILLO 1/4" (6mm) EN LA PLACA DE MONTAJE
TROUS DE VIS 1/4" (6mm) DANS LA PLAQUE DE MONTAGE

SERVICING THE HOT CONTROL AND FUSE ASSEMBLY

1. A temperature sensing non-resetable fuse in the wire is located approximately 3" (76mm) from the thermostat. The fuse is located under the retaining bracket (Item 3) in the groove on the heater element jacket (Item 4).
2. The thermostat must be used with a washer-spacer (Item 7) and be centered in the heater element jacket for proper temperature control. Locate the heater element jacket about 3/4" (19mm) above the bottom of the tank.
3. The heater element jacket must be fastened **VERY TIGHTLY** to the tank (45+/-10 inch-lbs. of torque on the mounting screw Item 9). Failure to **TIGHTEN** heater element jacket may cause rapid failure of the fuse assembly.



HOT TANK PARTS LIST

ITEM NO.	PART. NO.	DESCRIPTION
1	22111C	Heater Clamping Bracket (thrd)
2	22112C	Heater Clamping Bracket
3	22113C	Retaining Bracket
4	30980C	Heater Element & Jacket
5	31386C	Tank & Tube Assy
6	31428C	Hot Control Assy
7	50787C	Washer-Spacer
8	70606C	Drain Plug
9	70607C	Screw 1/4-20 x 3.00" HSHC
10	70640C	Screw #8-18 x 5/16" HHTC
11	70659C	Belleville Washer
12	70683C	1/4 Union
13	70793C	1/4 Elbow
14	31397C	Hot Tank Assy

PUSH BUTTON VALVE ADJUSTMENT

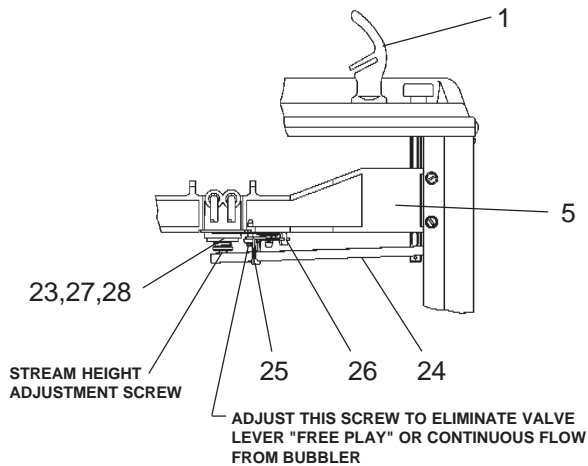
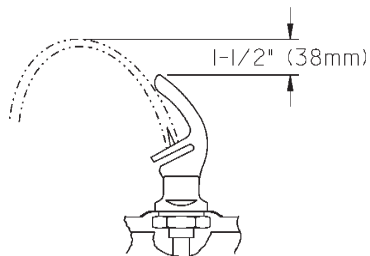


FIG. 3



CORRECT STREAM HEIGHT

FIG. 4

ITEMIZED PARTS LIST

ITEM NO.	PART NO.	DESCRIPTION
1	51544C	Bubbler
2	102639931640	Drain Plug
3	160270508640	Strainer Plate
4	401472642590	Basin
5	55860C	Bracket - Regulator Mounting
6	66505C	Evaporator (8 GPH)
	66506C	Evaporator (14 GPH)
7	35839C	Cold Control
8*	35787C	Compressor Serv. Pak (8 GPH)
	35762C	Compressor Serv. Pak (14 GPH)
9	31034C	Overload/Relay Assy (8 GPH)
	31027C	Overload/Relay Assy (14 GPH)
10	194243901550	Electrical Shield
11	35766C	Relay Cover
12	45697C	Precooler
13	66251C	Condenser (8 GPH)
	66252C	Condenser (14 GPH)
14	101453431640	Cap Push Button
15	101507531550	Push Button Stem
16	31490C	Fan Motor
17	104209543730	Fan Blade
18	70018C	Fan Blade Nut
19	402672043730	Fan Motor Bracket
20	66201C	Drier (8 GPH)
	66202C	Drier (14 GPH)
21	192668051550	Power Cord
22	66255C	Heat Exchanger (8 GPH)
	66229C	Heat Exchanger (14 GPH)
23	15005C	Regulator Retaining Nut
24	26860C	Regulator Lever
25	26861C	Pivot Bracket
26	26862C	Regulator Retaining Bracket
27	50986C	Regulator Holder
28	61314C	Regulator
29	55996C	Strainer
30	45313C	Hot Valve
31	33659000	Gasket - Body
32	40596C	Shroud
33	40597C	Gooseneck
34	51543C	Lever Handle
35	70921C	Mounting Nut
36	92712C	Stem Assy
37	21591C	Hot Tank Switch Bracket
38	30010C	Hot Tank Toggle Switch
39	55832C	Flow Regulator Assy
40	55885C	Nut 1-1/4 Slip Joint
41	55913C	Adaptor - Drain
42	15008C	Nipple - Bubbler
43	70682C	Tee - 1/4
44	See Color Table	Panel - Side Right
45	See Color Table	Panel - Side Left
NS	See Color Table	Panel - Front

*INCLUDES RELAY & OVERLOAD. IF UNDER WARRANTY, REPLACE WITH SAME COMPRESSOR USED IN ORIGINAL ASSEMBLY.
 NOTE: All correspondence pertaining to any of the above water coolers or orders for repair parts MUST include Model No. and Serial No. of cooler, name and part number of replacement part.

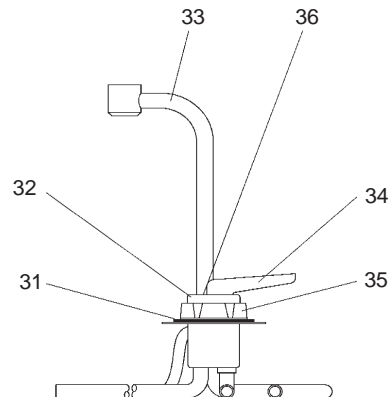
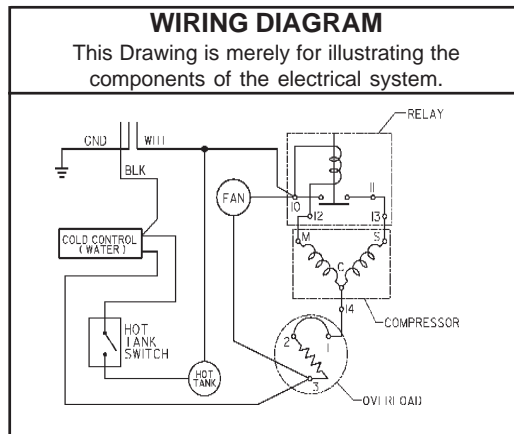


FIG. 5

COLOR	RIGHT PANEL ITEM 42	LEFT PANEL ITEM 43	FRONT PANEL ITEM 44
Platinum (PV)	401484048410	401483948410	401432248410
Almond (AV)	26879C	26878C	26874C
Slate (SV)	401484048440	401483948440	401432248440
Stainless Steel (SS)	401484042830	401483942830	401432242830

Halsey Taylor
 2222 CAMDEN COURT
 OAK BROOK, IL 60523

PRINTED IN U.S.A.

www.DrinkingFountainDoctor.com

800-518-5388