

INSTALLATION, OPERATION AND MAINTENANCE INSTRUCTIONS

**14 Gage Stainless Steel, Enhanced Vandal Resistance AquaAccess Less Refrigeration
Barrier Free, Wall Mounted Drinking Fountain**



A111400B-FG-VR

**TECHNICAL ASSISTANCE TOLL FREE TELEPHONE NUMBER:
1.800.591.9360**

Technical Assistance Fax: 1.626.855.4894

NOTES TO INSTALLER:

1. Please leave this documentation with the owner of the fixture when finished.
2. Please read this entire booklet before beginning the installation.
3. Check your installation for compliance with plumbing, electrical and other applicable codes.

LIMITED WARRANTY - UNITED STATES & CANADA

Acorn Aqua warrants that its products are free from defects in material or workmanship under normal use and service for a period of one year from date of shipment. Acorn's liability under this warranty shall be discharged solely by replacement or repair of defective material, provided Acorn is notified in writing within one year from date of shipment, F.O.B. Industry, California.

This warranty does not cover installation or labor charges and does not apply to materials, which have been damaged by other causes such as mishandling or improper care or abnormal use. The repair or replacement of the defective materials shall constitute the sole remedy of the Buyer and the sole remedy of Acorn under this warranty. Acorn shall not be liable under any circumstances for incidental, consequential or direct charges caused by defects in the materials, or any delay in the repair or replacement thereof. This warranty is in lieu of all other warranties expressed or implied. Product maintenance instructions are issued with each unit and disregard or non-compliance with these instructions will constitute an abnormal use condition and void the warranty. Stainless steel must be protected on jobsites during construction and must be properly maintained after the water has been introduced into the water cooler or drinking fountain, or Acorn's limited warranty is void.

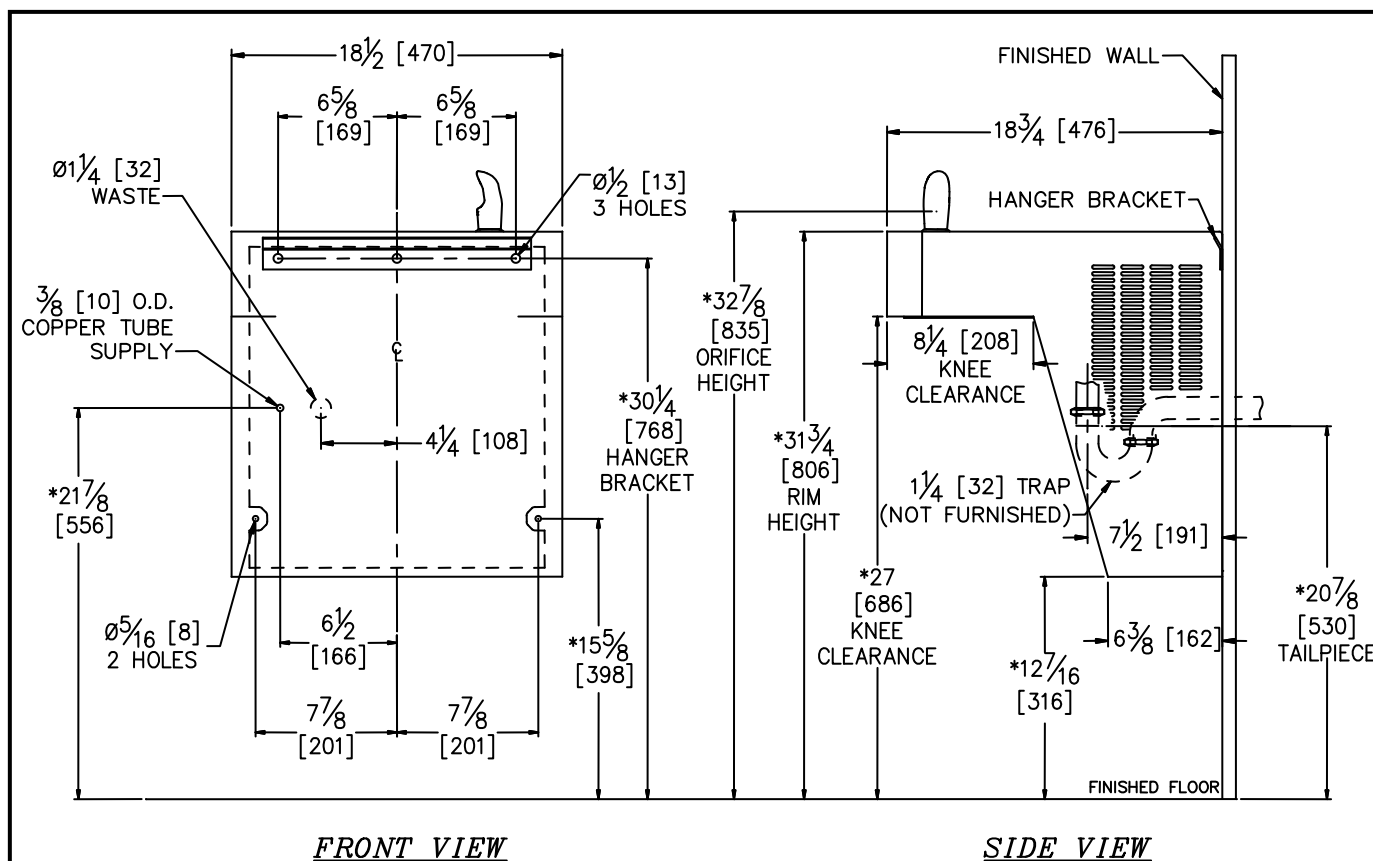
LIMITED EXPORT WARRANTY – One year on parts only.



ACORN AQUA
P.O. Box 3527
City of Industry, CA 91744-0527
United States of America
www.acornaqua.com

ROUGHING-IN AND DIMENSIONAL DRAWING

Prior to roughing consult with local, state, and federal codes for proper mounting height.



GENERAL NOTES:

1. ALL DIMENSIONS ARE IN INCHES [MM]
- *2. DIMENSIONS SHOWN ARE FOR RECOMMENDED ADULT HEIGHT. ADJUST VERTICAL DIMENSIONS AS NECESSARY TO COMPLY WITH FEDERAL, STATE, & LOCAL CODES.
3. ANGLE STOP VALVE & TRAP NOT SUPPLIED.
4. IMPORTANT: FOUNTAIN MUST BE ATTACHED TO WALL WITH ANCHOR SCREWS.

NOTES: Dimensions shown for Adult ADA compliant installation. For Child ADA compliant parallel approach installation, decrease height of installation by 3 inches. Provide clear floor space as required. Adjust vertical dimensions as required to comply with federal, state, and local codes.

IMPORTANT:

1. Waste P-Trap and Water Supply Service Angle Stop Valve to be supplied by others in accordance with local codes.
2. Water supply is 3/8" Outer Diameter copper tube. Waste is 1-1/4" Outer Diameter.
3. Completely flush supply lines of all foreign debris before connecting to fixture. Optional water filter is available should there be problems from the water supply with taste, odor, color, or sediment.
4. Do **NOT** solder tubes inserted into the strainer as damage to the o-ring may result.
5. All burrs must be removed from outside of cut tubes before inserting into strainer or other components.
6. WARNING: Warranty is voided if installation is not made following current Acorn Aqua installation instructions and if components are assembled to the fixture that are not approved by Acorn Aqua.



7. Fixture operates within water pressure range of 20 to 105 psig. Acorn Aqua will not warranty fixtures damaged when connected to supply lines with flow pressure lower than 20 psig or higher than 105 psig. A pressure regulator must be furnished by others on supply line if inlet pressure is greater than 105 psig.

INSTALLATION:

1. Mount hanger bracket to wall horizontally level as shown in Roughing-In and Dimensional Drawing. **Note:** Adjust height of bracket if bubbler outlet height is required to vary from that shown. **WARNING:** Hanger bracket **MUST** be securely anchored to wall with fasteners sufficient to support weight of fountain. If wall can not provide adequate support, order and install optional fixture support carrier.
2. Hang the drinking fountain on the hanger bracket making sure the bracket properly engages underneath the back lip of the fixture. Verify water fountain is level, left to right AND front to back. **Caution:** The bubbler stream may be adversely affected if unit is not square and level.
3. Remove the front panel from the drinking fountain and set aside in a safe place. Secure the screws in a safe location for use later in installation.
4. Anchor drinking fountain to wall at other mounting points in base. Shim lower rear mounting points to level unit if necessary.
5. Thoroughly flush the 3/8" O.D. supply line and then connect water fountain to water supply angle stop valve (by others) with supplied 3/8" O.D. copper tube.
6. Make up 1-1/4" O.D. p-trap (by others) waste connection.

START UP:

1. Before assembling front panel to drinking fountain, but after thoroughly flushing the supply line and connecting it to the fixture, turn on building water supply and check all connections for leaks.
2. Air within the drinking fountain or the structure supply piping will cause an irregular bubbler outlet stream until purged out by incoming water. Covering the bubbler with a clean cup (or similar object) is recommended when first activating drinking fountain to prevent excessive splashing. Depress push button until steady water stream is achieved.
3. If water flow requires adjustment, insert a slotted narrow blade screwdriver in the hole in the center of the push button up to the flow regulator. Turning clockwise will increase flow and turning counterclockwise will decrease flow.
4. Recheck all water and drain connections with water flowing through system.
5. Assemble the front panel to the drinking fountain with the screws furnished.

TROUBLE SHOOTING:

1. No Water Flow
 - a. Check water main supply – open.
 - b. Inspect stop (by others) – open and no debris.
 - c. Inspect in-line strainer for debris – clean.
 - d. Replace valve cartridge.
2. Water Drips / Will Not Shut Off
 - a. Replace valve cartridge.
3. Reduced Water Flow
 - a. Adjust the valve flow rate using a slotted narrow blade screwdriver in cartridge and turning clockwise to increase flow and counterclockwise to decrease flow.
 - b. Check water main supply for 20 psig minimum flow pressure.
 - c. Inspect stop (by others) – open and no debris.
 - d. Inspect in-line strainer for debris – clean.
 - e. Inspect bubbler for debris – clean.
 - f. Inspect all tubing for twists or kinks.

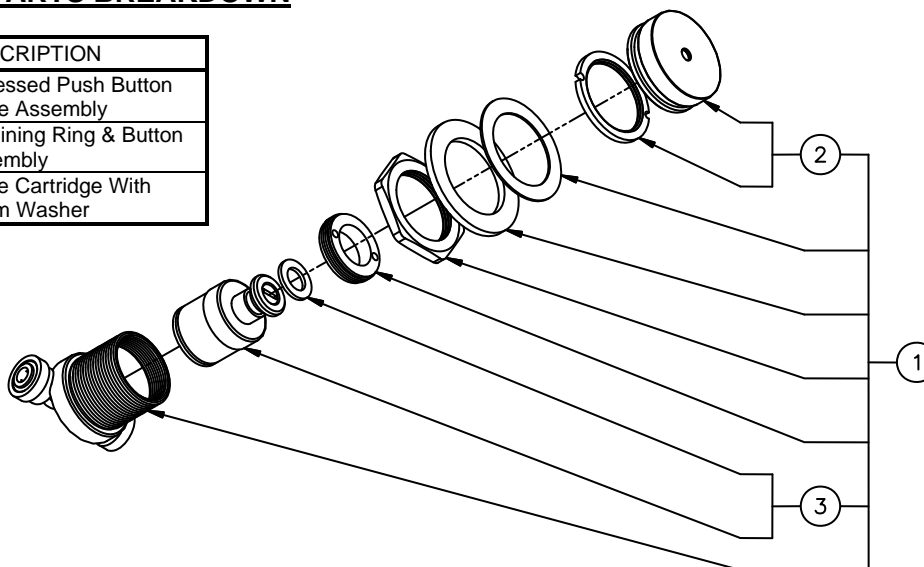
- g. Replace valve cartridge.
4. Splashing Bubbler Stream
- a. Bubbler can be rotated slightly to direct the stream backwards or forwards. Adjust the stream to minimize splashing. Splashing may occur from bubbler stream if the unit is not level. Shim lower mounting points, if necessary, to level cooler.

CLEANING & MAINTENANCE GUIDE:

1. Periodically remove access panels and clean out in-line strainer.
2. Do NOT use harsh chemicals, abrasive or petroleum based cleaners. Use of these will void the Acorn Aqua warranty.
3. Exterior panels can be cleaned using mild household detergents or warm, soapy water. Extra care must be used cleaning chrome plated items and mirror finished stainless steel. They can scratch easily and should only be cleaned using a clean, soft cloth and mild soap with water or a mild glass cleaner.

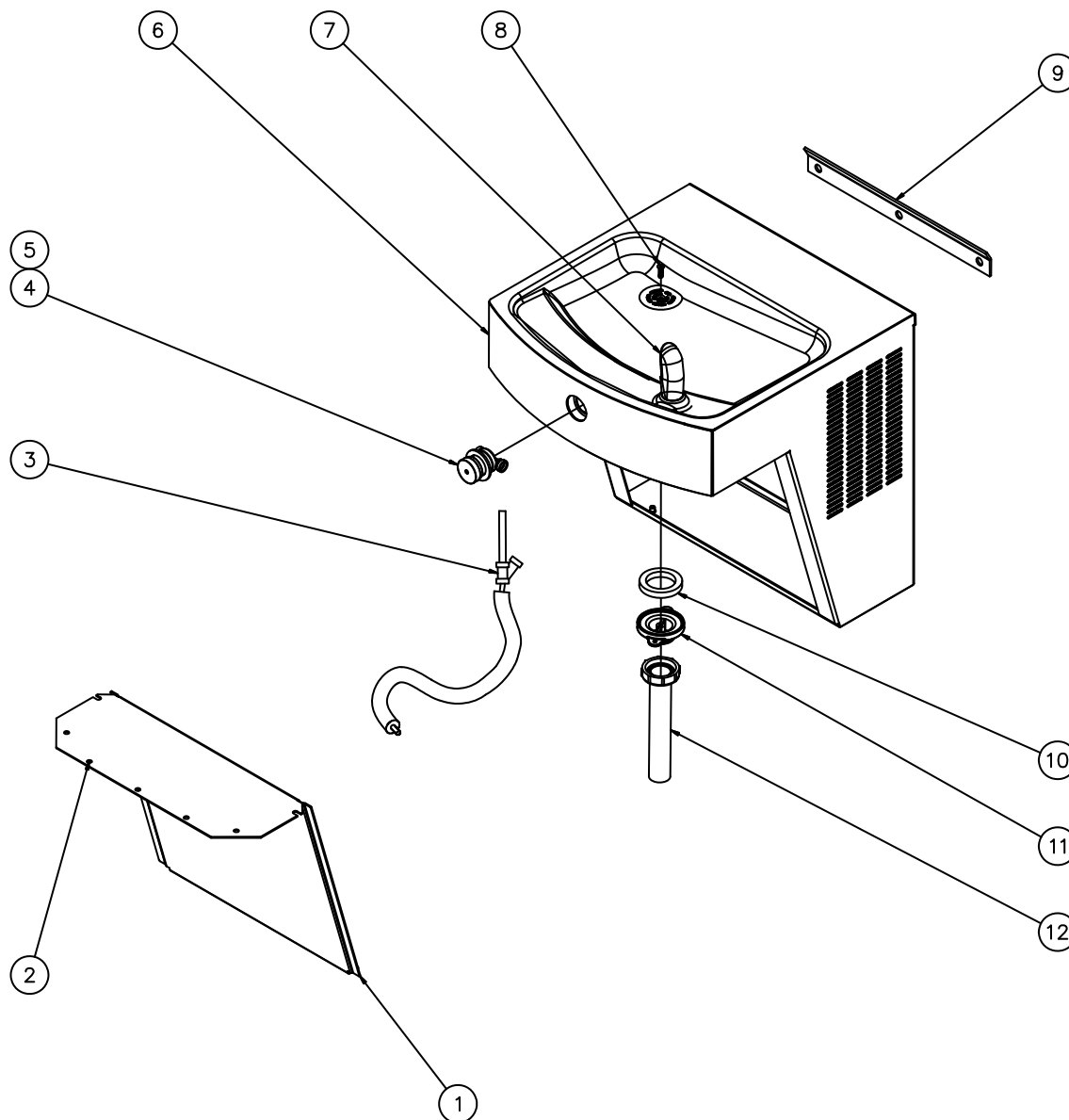
PUSH BUTTON VALVE PARTS BREAKDOWN

ITEM #	PART NUMBER	DESCRIPTION
1	7000-065-001	Recessed Push Button Valve Assembly
2	7000-068-001	Retaining Ring & Button Assembly
3	7000-069-001	Valve Cartridge With Foam Washer



Repairs must be made with Acorn Aqua parts only. Please order through your local representative or distributor. The phone number to locate your local representative is 1.800.591.9360.

COOLER PARTS BREAKDOWN



ITEM #	PART NUMBER	DESCRIPTION	ITEM #	PART NUMBER	DESCRIPTION
1	7003-607-199	FG-VR Stainless Steel Knee Panel	7	7000-002-001	"B" Brass Bubbler Assembly
2	0112-002-000	Center Reject Allen Button Head Screw	8	0152-006-000	Center Reject Allen Flat Head Screw
3	7000-022-000	"Y" Strainer	9	7003-635-199	FG-VR AquaAccess Hanger Bracket
4	7000-065-001	Recessed Push Button Valve Assembly	10	7000-006-000	Flat Drain Adapter Gasket
5	7000-069-001	Valve Cartridge With Foam Washer	11	7000-005-199	Drain Adapter
6	7003-650-001	Less Refrigeration FG-VR AquaAccess Cabinet	12	7000-019-001	Waste Tailpiece Assembly

Repairs must be made with Acorn Aqua parts only. Please order through your local representative or distributor. The phone number to locate your local representative is 1.800.591.9360.