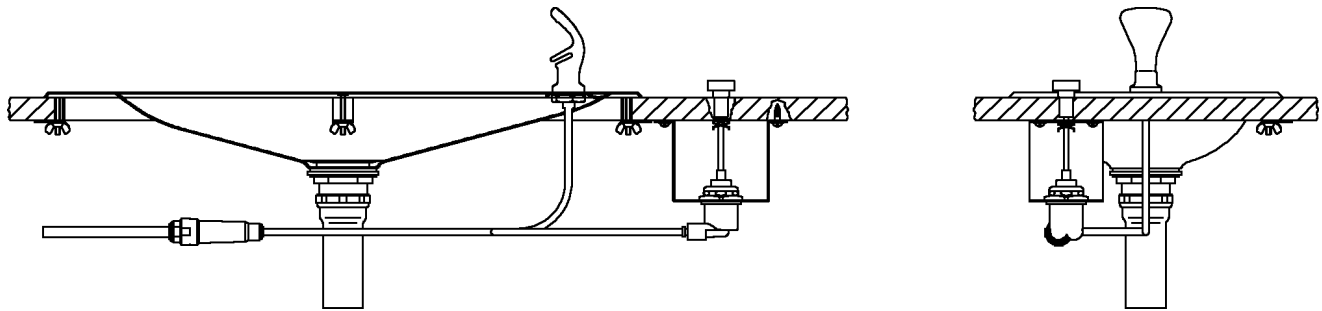


Halsey Taylor Installation Manual

Model 6028 Countertop Fountains



Installer

To assure you install this model easily and correctly, PLEASE READ THESE SIMPLE INSTRUCTIONS BEFORE STARTING THE INSTALLATION. CHECK YOUR INSTALLATION FOR COMPLIANCE WITH PLUMBING, ELECTRICAL AND OTHER APPLICABLE CODES. After installation, leave these instructions inside the fountain for future reference.

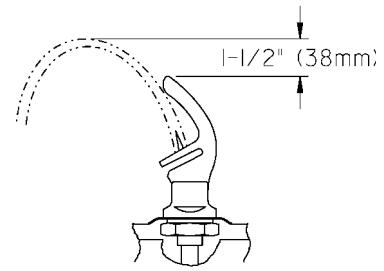
IMPORTANT

ALL SERVICE TO BE PERFORMED BY AN AUTHORIZED SERVICE PERSON

1. Water supply 3/8" O.D. unplated copper tube. Waste 1-1/2" O.D. tube. Contractor to supply waste trap and service stop valve in accordance with local code.
2. Connecting lines to be made of unplated copper and should be thoroughly flushed to remove all foreign matter before being connected to fountain. This fountain is manufactured in such a manner that it does not in any way cause taste, odor, color, or sediment problems.
3. Connect the 3/8" O.D. unplated copper water line from the fountain to the service stop valve (see figs. 3 and 4). **DO NOT SOLDER TUBES INSERTED INTO THE STRAINER AS DAMAGE TO THE O-RINGS MAY RESULT.**
4. These products are designed to operate on 20 psig to 105 psig supply line pressure. If inlet pressure is above 105 psig, a pressure regulator must be installed in the supply line. Any damage caused by reason of connecting this product to supply line pressures lower than 20 psig or higher than 105 psig is not covered by warranty.

6028 FOUNTAIN

STREAM HEIGHT ADJUSTMENT: Stream height is factory set at 35 PSI. If supply pressure varies greatly from this, remove items 16 & 17 (see Fig.2) and adjust screw on item 24. Clockwise adjustment will raise stream and counter-clockwise adjustment will lower stream. For best adjustment, stream should hit basin approx. 6-1/2" from bubbler.



CORRECT STREAM HEIGHT

FIG. 1

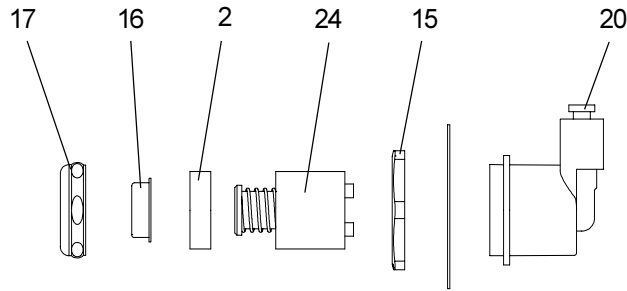
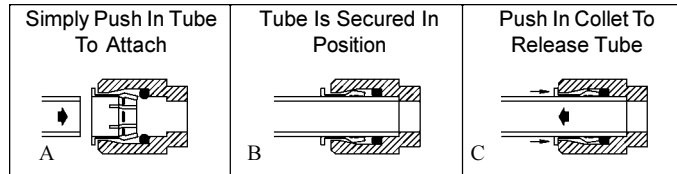


FIG. 2

OPERATION OF QUICK CONNECT FITTINGS



Pushing Tube In Before Pulling It Out Helps To Release Tube.

FIG. 3

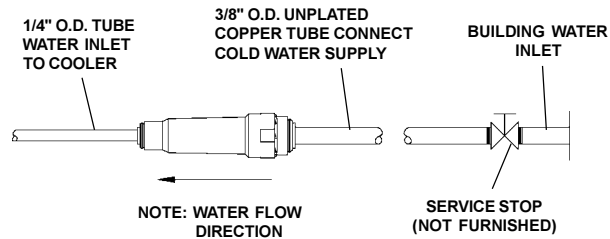


FIG. 4

6028 FOUNTAIN

NOTE:

1. LOCATE AND DRILL 1/2" DIA. HOLE IN COUNTER TOP FOR PUSH ROD SLLEEVE.
2. LOCATE HOLES FOR REGULATOR BRACKET ON UNDER SIDE OF COUNTER. DRILL (4) PILOT HOLES FOR #10 X 3/4 WOOD SCREWS (FURNISHED).
CAUTION - DO NOT PENETRATE COUNTER TOP.
3. INSTALL BRACKET WITH #10 - 3/4 WOOD SREWS AND FLAT WASHERS (FURNISHED).
4. INSERT SLEEVE AND INSTALL PUSH BUTTON STEM, SAFETY CLIP AND PLASTIC BUMPER.
5. (.06") MINIMUM CLEARANCE REQUIRED BETWEEN REGULATOR BUTTON AND PLASTIC BUMPER TO PREVENT A CONTINOUS TRICKLE OF WATER THROUGH BUBBLER.
6. WITH BUTTON AT 5/8" ABOVE COUNTER TOP, SLIDE THE SAFETY CLIP UP SNUG TO THE BOTTOM SIDE OF THE COUNTER TOP.
7. FOUNTAIN FURNISHED WITH 1-1/2" O.D. WASTE TAILPIECE.
8. CONFIGURATION OF TUBES TO BE DETERMINED BY INSTALLER.

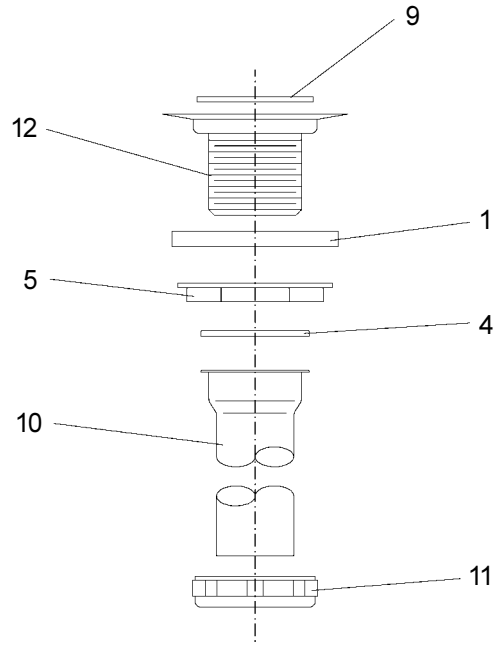


FIG. 5

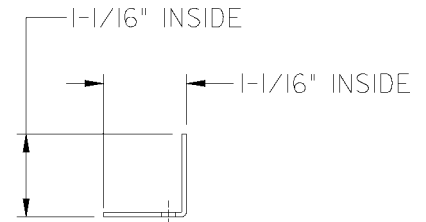


FIG. 6

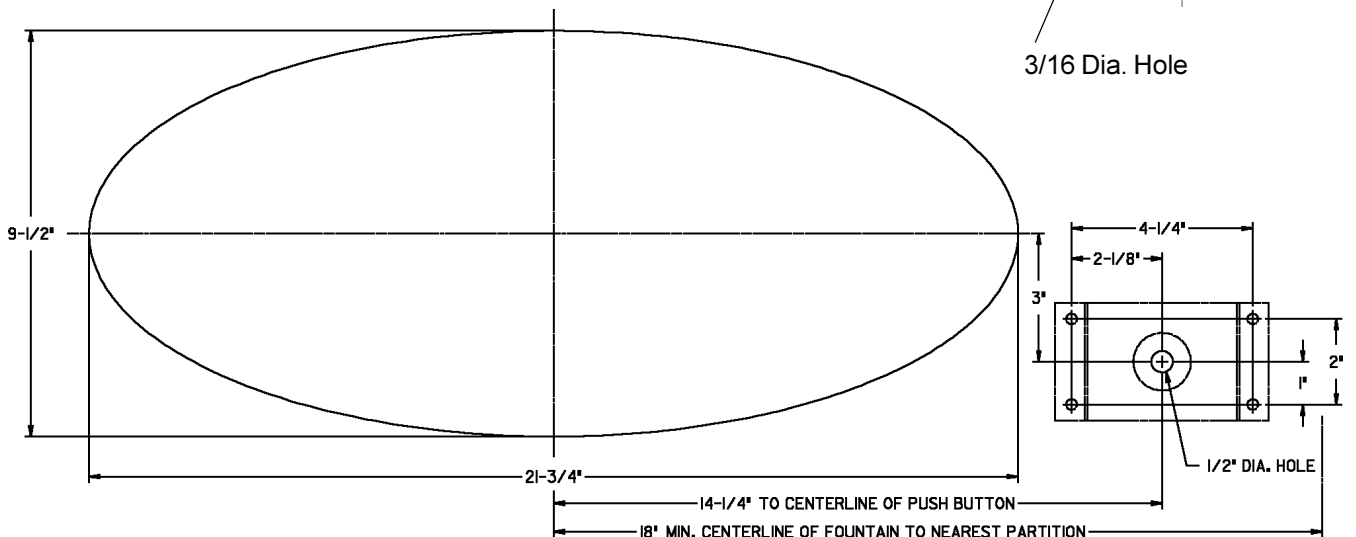
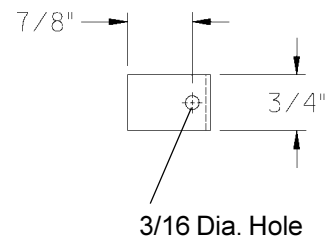


FIG. 7

6028 FOUNTAIN

ITEMIZED PARTS LIST

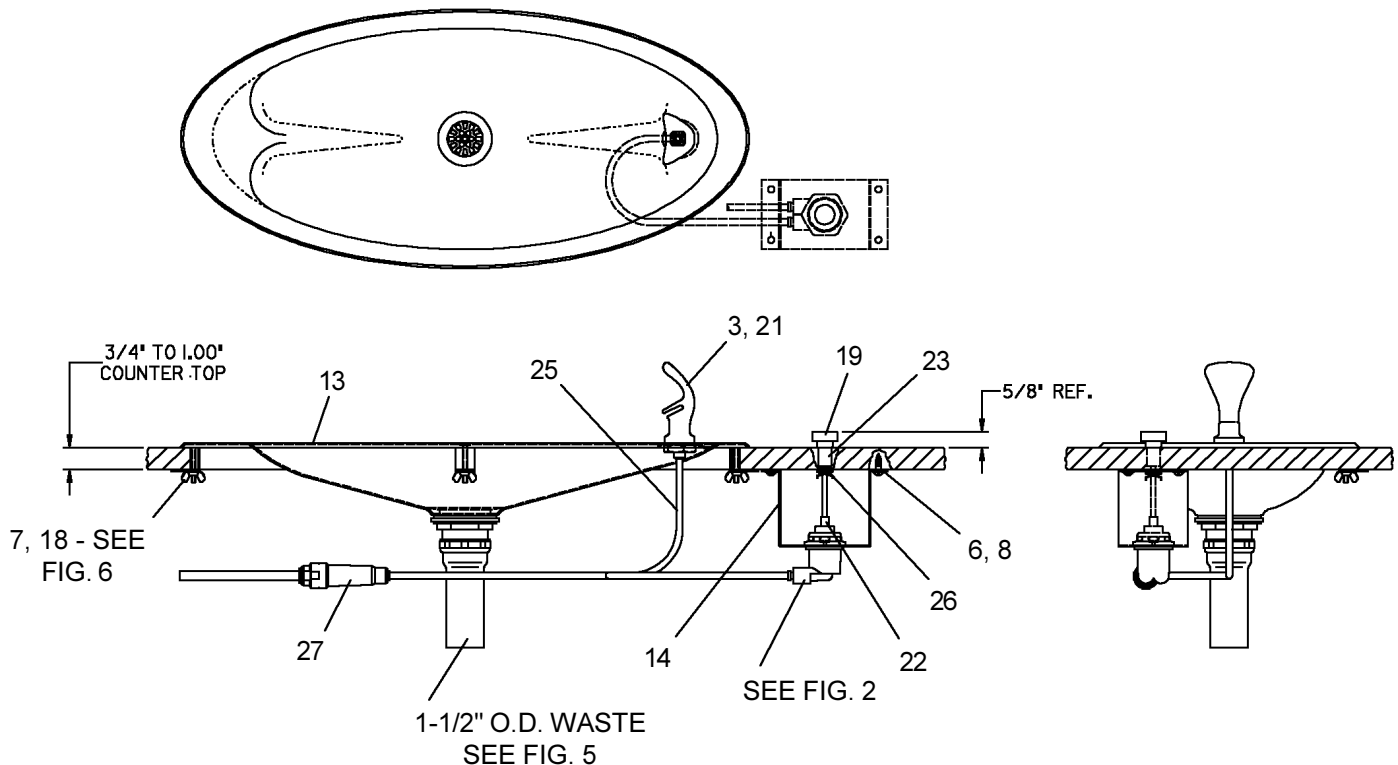
ITEM NO.	PART NO.	DESCRIPTION
1	100147140560	Gasket
2	15005C	Nut - Retaining
3	100322740560	Gasket - Bubbler
4	100352940560	Gasket - Slipnut
5	110346220550	Locknut - 1-1/2 x 11-1/2
6	70415C	Washer - Flat #10 SS
7	110857443890	Wing Nut #10-24
8	110865343890	Screw - RH wood, #10-13 x 5/8
9	160270508640	Strainer Plate - Bright
10	160346108640	Tailpipe - 1-1/2 O.D. x 4
11	160346308640	Slipnut - 1-1/2
12	161637308640	Drain Plug - 1-1/2 CP
13	170848942830	Receptor
14	27055C	Bracket - Regulator Mtg.
15	40045C	Nut - Hex Unpltd
16	40048C	Button CP
17	40089C	Nut Cover CP
18	400857342830	Angle Clamp
19	45846C	Push Button Stem
20	50986C	Holder - Regulator
21	51544C	Bubbler - CP
22	15031C	Bumper - Push Rod
23	15030C	Sleeve - Push Rod
24	61314C	Regulator - W/Green Spring
25	66339C	Tube Assy - Bubbler
26	71036C	Clip - Safety
27	55996C	Strainer

TROUBLE SHOOTING AND MAINTENANCE

Orifice Assy: Mineral deposits on orifice can cause water flow to spurt or not regulate. Mineral deposits may be removed from the orifice with a small round file not over 1/8" diameter or small diameter wire. **CAUTION: DO NOT** file or cut orifice material.

Stream Regulator: If orifice is clean, regulate flow as in instructions on page 2. If replacement is necessary, see parts list for correct regulator part number.

Actuation of Quick Connect Water Fittings: Cooler is provided with lead-free connectors which utilize an o-ring water seal. To remove tubing from the fitting, relieve water pressure, push in on the gray collar while pulling on the tubing.(see Fig.3) To insert tubing, push tube straight into fitting until it reaches a positive stop, approximately 3/4".



Halsey Taylor
 2222 CAMDEN COURT
 OAK BROOK, IL 60523
 630.574.3500