



MODEL HTV8EE-Q



This water cooler is certified to NSF/ANSI 61.

GENERAL

Self-contained, electric refrigerated wall-mounted water cooler with softly rounded corners and edges, designed to be easily accessible to physically challenged individuals. When properly installed, unit meets state and federal requirements as defined by the Americans with Disabilities Act **for both children or adults**. Unit is certified to NSF/ANSI 61 and meets requirements of the Safe Drinking Water Act. Unit provides 50° F water at 80° F inlet water and 90° F ambient.

CABINET

Molded two-tone gray space-age polymer with softly rounded edges. Resistant to impact, wear, corrosion, heat and sunlight.

COOLER TOP

Non-corrosive stainless steel cooler top, number 300 series with satin finish resists stains and corrosion and is easy to maintain. Anti-splash design reduces splatter. Contour design and integral strainer insure proper drainage.

BUBBLER

Exclusive one-piece, chrome-plated two-stream mound-building bubbler with non-removable anti-squirt feature and integral hood insures a satisfying drink of water.

AUTOMATIC ACTUATION

Model HTV8EE-Q features infra-red light beam emitting sensor and a solenoid valve. Upon interruption of the light beam, the sensor actuates the solenoid valve to flow water. User does not have to touch the water cooler to obtain a drink of water. The water flow is automatically shut-off after 30 seconds or earlier if the user leaves the sensing range. Supplied with a built-in time delay to avoid nuisance actuation from passers-by.

AUTOMATIC STREAM HEIGHT REGULATOR

Self-closing assembly is located inside unit to prevent tampering. Unit resists corrosion and liming. A constant stream height is automatically maintained under line pressures that vary from 20 to 105 psi.

SOLENOID VALVE / INLET STRAINER

Self-closing solenoid valve includes easily cleaned in-line strainer that screens particles of 140 microns or larger before they enter the waterway.

TEMPERATURE CONTROL

Positive sensing thermostat for controlling temperature of storage tank water. Factory set at 50° F Adjustable ± 5° F.

STORAGE TANK

Non-pressurized stainless steel evaporator/storage tank for long life. Waterways are certified to NSF/ANSI 61, far exceeding the requirements of the Safe Drinking Water Act.

REFRIGERATION SYSTEM

Hermetically sealed, positive start compressor with lifetime lubrication and built-in overload protection, efficient capillary sizing, large capacity dryer-strainer, and self-lubricated fan cools copper/aluminum condenser. System uses R134A refrigerant. Protected by Halsey Taylor's Limited 5 Year Warranty.

VENTILATION

Insure proper ventilation by maintaining 6" (152mm) minimum clearance from cabinet louvers to wall.

SUGGESTED SPECIFICATIONS

Shall deliver 7.6 GPH of 50° F water at 90° F ambient and 80° F inlet water. Shall have stainless steel basin with integral drain strainer. Bubbler shall be two-stream, mound building type. Separate valve and automatic stream regulator shall be mounted within cabinet. Refrigeration system shall employ high efficiency, positive start compressor using R134A, non-pressurized tank with totally encapsulated insulation and be controlled by positive sensing thermostat. Shall have electronic eye water control for hands-free operation. Cooler shall comply with ANSI 117:1 and ADA for visual and motion disabilities. The manufacturer shall certify the unit to meet the requirements of NSF/ANSI 61, and the Safe Drinking Water Act. Unit complies with ARI Standard 1010.

NOTE: Continued product improvement makes specifications subject to change without notice. See Halsey Taylor website for most current spec sheet.

NOTE: Water will only flow from bubbler when unit has electrical connection.

Electronic Eye Barrier-Free Cooler



Standard finish is Two-Tone Gray Molded.

Optional Accessories (extra cost)

- Water Filter
- Easy-Flex™ Bubbler
- MLP100 In-Wall Support Carrier
- Vandal-Resistant Kit

For Stainless Steel Applications Use:

- HAC8EE-Q CHILD SS

Optional Features:

- Personalized Graphics
(Contact your local representative)

JOB NAME: _____

ENGINEER/CONTRACTOR NAME: _____

APPROVAL: _____

DATE: _____

HTV-Q BARRIER-FREE SERIES

Model No.	GPH Capacity Cooled to 50° F*				Base Rate Cap.	F.L. Amps	Shipping Weight lb.	Rated Watt Usage
	Ambient Air Temp							
	70°F	80°F	90°F†	100°F				
HTV8EE-Q	9.6	8.8	7.6	7.2	7.6	4.0	51	370

* With projector service and tap water at 80° F

† UL listed and complies with ARI Standard 1010

Trap and service stop not included



HTV8EE-Q

Electronic Eye Barrier-Free Cooler

(CONTINUED)

MOUNTING HEIGHT

Mounting height recommended 30 1/4" from basin to floor. May be mounted at any desired height. Check local codes.

MOUNTING INSTRUCTIONS

Mount trap and install service stop to building supply line. Anchor hanger bracket securely to wall with six fasteners. To insure proper engaging of waste line into trap, centerline of trap must be 7" from wall face. Remove slip nut and gasket from trap and install on waste line tube. Hang cooler on bracket and engage waste line tube into trap inlet. Centerline height of waste outlet will vary from floor line depending on mounting height. Connect service stop to solenoid valve using 3/8" supply tube. Secure bottom of cooler to wall using holes provided.

Trap and service stop not included.

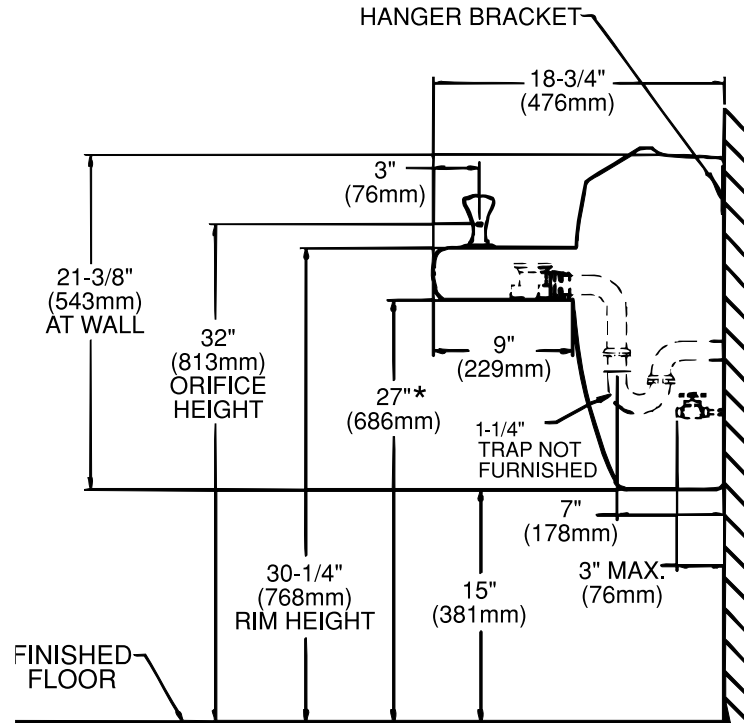
OPERATING PRESSURES:

Supply water - 20 to 105 psi

ELECTRICAL

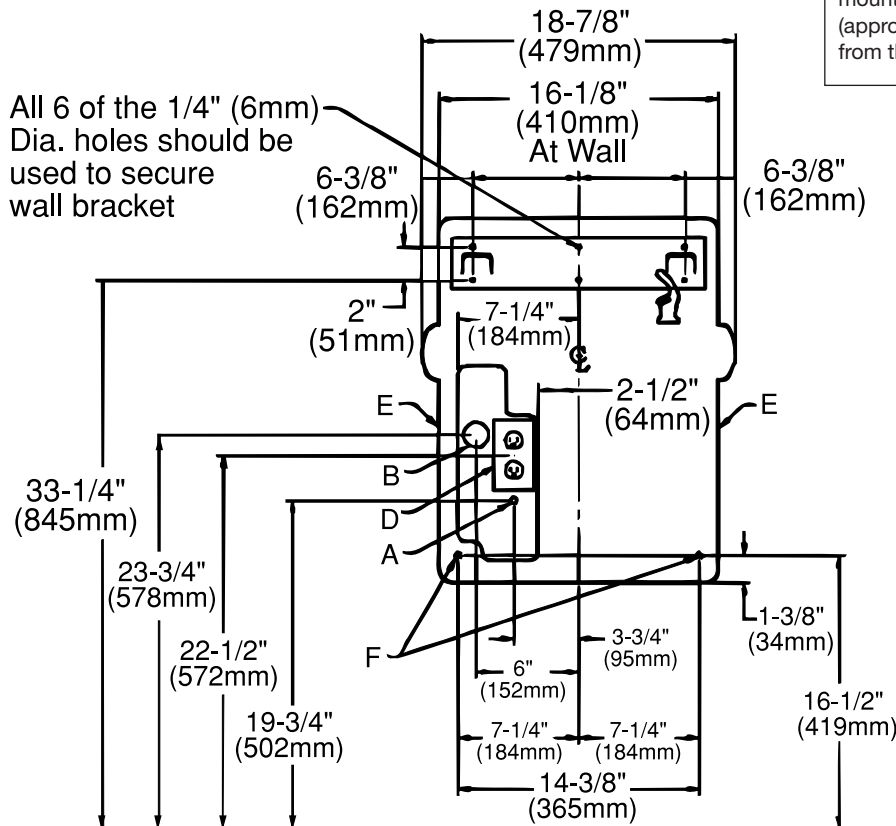
Furnished with plug-in, 3-wire grounding type service cord. Standard 120 volt, 60 Hz, single phase. Install 120-volt receptacle, rated at 15-amp minimum, to receive 3-wire parallel blade grounding type male plug.

SIDE VIEW



* Adult ADA requirement (shown) - 27" (686mm); Child ADA requirement - 24" (608mm). Adjust all other measurements accordingly.

FRONT VIEW / WALL LAYOUT



NOTE: Halsey Taylor's recommended orifice mounting height for children 38" to 46" tall (approx. four through seven years old) is 23" from the finished floor.

Legend:

- A = RECOMMENDED WATER SUPPLY LOCATION. SHUT OFF VALVE (NOT FURNISHED) TO ACCEPT 3/8" O.D. UNPLATED COPPER TUBE.
- B = RECOMMENDED LOCATION FOR WASTE OUTLET 1-1/4" O.D. DRAIN
- C = 1-1/4" TRAP NOT FURNISHED
- D = ELECTRICAL SUPPLY (3) WIRE RECESSED BOX
- E = INSURE PROPER VENTILATION BY MAINTAINING 6" (152mm) (MIN.) CLEARANCE FROM CABINET LOUVERS TO WALL
- F = 5/16" BOLT HOLES FOR FASTENING UNIT TO WALL

Halsey Taylor

When replacing a model 'HAC' with a new unit 'HTV', installer must cut 1-7/8" from length of cooler waste line before connecting to trap.