



Halsey Taylor[®]
Satisfying Thirsts Since 1912

Models **HTVZ8PV-NF**, **HTVZ8SS-NF** and
HTVZDPV-NF and **HTVZDSS-NF**
Single **HTVZ Cooler**

Single Barrier-Free Cooler

Rated for Indoor Use Only



MODELS:

- ☐ HTVZ8PV-NF (Platinum Vinyl)
- ☐ HTVZ8SS-NF (Stainless Steel)
- ☐ HTVZDPV-NF (Platinum Vinyl, Less Refrigeration)
- ☐ HTVZDSS-NF (Stainless Steel, Less Refrigeration)

These units are replacing past models:

- HTV8-Q-TTG
- HTV8-Q-TTG
- HTV-L/R-TTG
- HTV-L/R-TTG

GENERAL SPECIFICATIONS

Self-contained, electric refrigerated wall-mounted non-filtered water cooler easily accessible to physically challenged individuals. HTVZ8 delivers 8 gph of 50°F drinking water at 90°F ambient air and 80°F inlet water. Model HTVZD delivers non-refrigerated drinking water. Exclusive one-piece, Chrome-plated two-stream Double Bubbler™ with non-removable anti-squirt feature and integral hood. Automatic stream height regulator is located inside unit to prevent tampering. Includes self-closing, light touch front and side pushbar actuation with raised letters for the visually impaired. Type 300 series stainless steel cooler top, with satin finish resists stains. Contoured to insure proper drainage. The manufacturer shall certify the unit to meet the requirements of NSF/ANSI 61 and 372, UL 399 and CAN/CSA 22.2 No. 120.

STANDARD FEATURES

- Easy-Touch pushbar activation
- Extra deep basin minimizes splashing; with integral drain
- **Exclusive one-piece**, Chrome-plated two-stream Double Bubbler™ with non-removable anti-squirt feature and integral hood. It's integral hood insures a satisfying drink of water
- Valve with built-in flow regulator to provide constant stream from 20 to 105 psi water pressure
- Finish options: Impact-resistant vinyl coating or stainless steel wrapper
- Rated for Indoor use

WATER INLET

3/8" O.D. Tubing. **DRAIN OUTLET** - 1-1/4" tube outlet for 1-1/4" slip joint connection. **Trap and service stop not included.**

COOLING SYSTEM (Models HTVZ8PV-NF & HTVZ8SS-NF only)

- Compressor: Hermetically-sealed, reciprocating type, single phase. Sealed-in lifetime lubrication.
- Condenser: Fan cooled, copper tube with aluminum fins. Fan motor is permanently lubricated.
- Cooling Unit: Tube type. Self-cleansing. Continuous copper tubing which is fully insulated with EPS foam that meets UL requirements for self-extinguishing material.
- Refrigerant Control: Refrigerant R134a is controlled by accurately calibrated capillary tube.
- Temperature Control: Easily accessible enclosed adjustable thermostat is factory preset. Requires no adjustment other than for altitude requirements.

CONSTRUCTION

- Stainless Steel basin with integral drain
- Galvanized structural steel cooler chassis provides structural integrity
- Cooler cabinet available as Platinum Vinyl Clad Steel or Stainless Steel (additional cost) construction
- Chrome-plated two-stream Double Bubbler™ with non-removable anti-squirt feature and integral hood.

WARRANTY

5 year limited warranty on the unit's refrigeration system. Electrical components and water system are warranted for 12 months from date of installation or 18 months from factory shipment, whichever date falls first.

| CAPACITIES CHART | | | | | | | | |
|------------------|-----------------|---------------------|-----------|-------------|------------------|---------------|--|-------------------------------|
| Model | Voltage / Hertz | Chilling** Capacity | F.L. Amps | Rated Watts | Approx. Ship Wt. | ADA Compliant | UL399 and CAN/CSA 22.2 No. 120 Certified | NSF/ANSI 61 and 372 Certified |
| HTVZ8PV-NF | 115V / 60Hz | 8.0 GPH | 4.0 | 370 | 51 lbs. | • | • | • |
| HTVZ8SS-NF | 115V / 60Hz | 8.0 GPH | 4.0 | 370 | 51 lbs. | • | • | • |
| HTVZDPV-NF | 115V / 60Hz | — | 1.0 | 120 | 25 lbs. | • | • | • |
| HTVZDSS-NF | 115V / 60 Hz | — | 1.0 | 120 | 25 lbs. | • | • | • |

**Based on 80°F inlet water & 90°F ambient air temp for 50°F chilled drinking water.

NOTE: Continued product improvement makes specification sheets subject to change without notice. Color code of (PV) Platinum Vinyl and (SS) for Stainless Steel cooler wrapper.

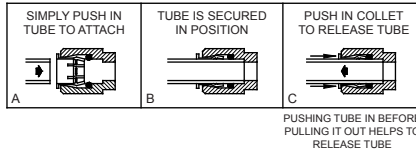
**Models HTVZ8PV-NF, HTVZ8SS-NF and HTVZDPV-NF and HTVZDSS-NF
Single HTVZ Cooler**



Halsey Taylor®
Satisfying Thirsts Since 1912

Rated for Indoor Use Only

OPERATION OF QUICK CONNECT FITTINGS

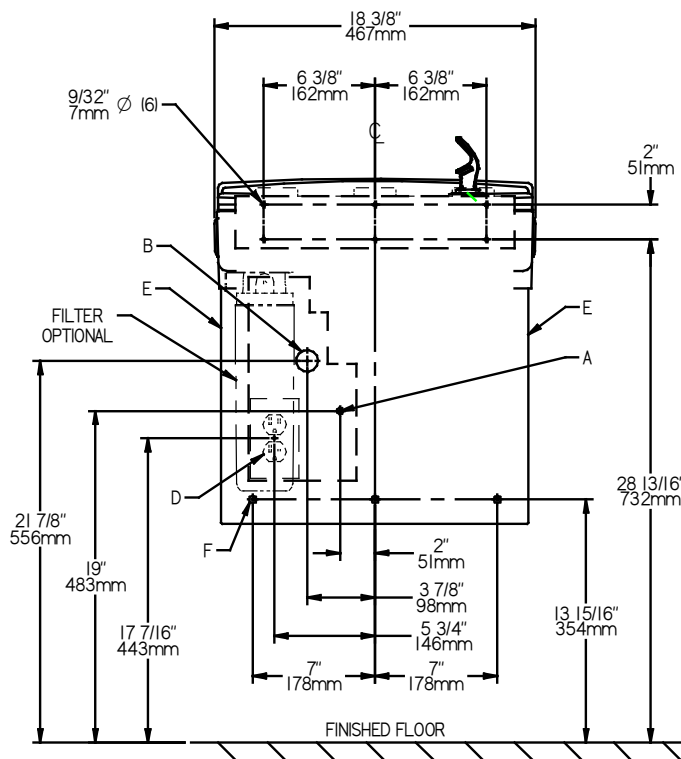


NOTE: A service stop (not included) must be installed at the water inlet line.
NOTE: P-Trap (not supplied) to be installed per local building code.

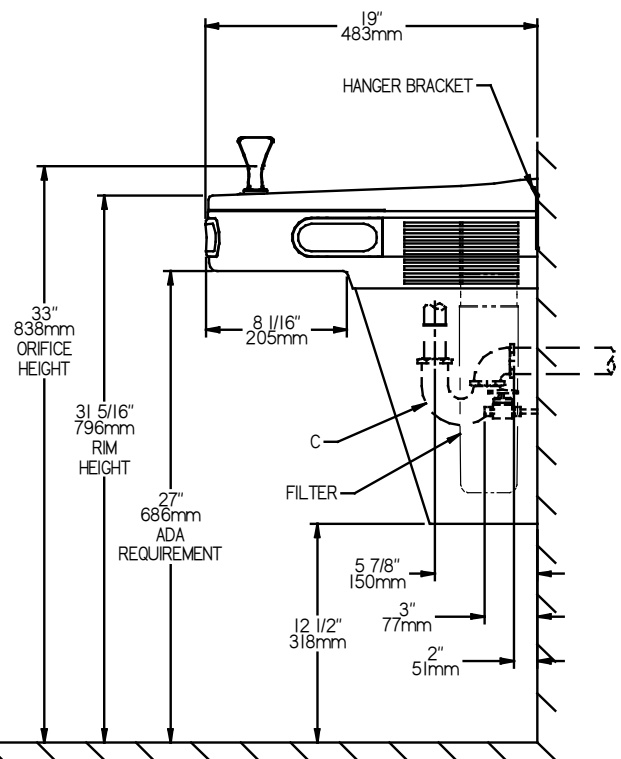
OPERATING PRESSURES

Supply water - 105 psi maximum. Minimum 40 psi supply line pressure required in special circumstances where both sides of bi-level are in use simultaneously to ensure adequate stream height. Use of water filter in this situation is not recommended.

FRONT VIEW



SIDE VIEW



REDUCE HEIGHT BY 3" FOR INSTALLATION OF CHILDREN'S ADA COOLER

LEGEND:

- A = Recommended Water Supply Location. Shut-off valve (not furnished) to accept 3/8" O.D. unplated copper tube. Up to 3" (76mm) maximum out from wall.
 - B = Recommended Waste Outlet location. To accommodate 1-1/4" nominal drain. Drain stub 2" (51mm) out from wall.
 - C = 1-1/4" Trap (not furnished).
 - D = Electrical Supply (3) Wire Recessed Box Duplex Outlet.
 - E = Insure proper ventilation by maintaining 6" (152mm) minimum clearance from cabinet louvers to wall.
 - F = 7/16" (11mm) Bolt Holes for fastening to wall.
- **New Installations Must Use Ground Fault Circuit Interrupter (GFCI).**

Job Name: _____

Model: _____ Qty. _____

Contact: _____

Approval Signature: _____

Notes: _____

Halsey Taylor®