



**T&S BRASS AND BRONZE WORKS, INC.**

2 Saddleback Cove / P.O. Box 1088  
Travelers Rest, SC 29690



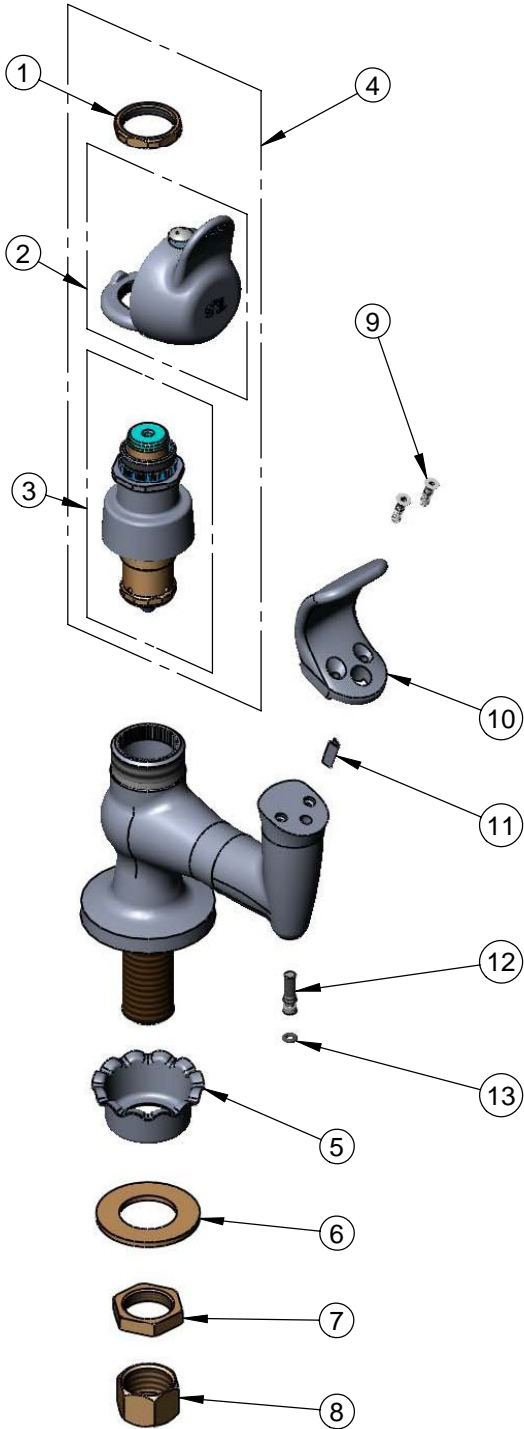
REG. #A2601  
ISO #9001

Model No.

**B-2360-03-PA**

Item No.

Travelers Rest, SC: 800-476-4103 Simi Valley, CA: 800-423-0150 Fax: 864-834-3518 www.tsbrass.com



ITEM NO.	SALES NO.	DESCRIPTION
1	PA-N	Retaining Nut
2	PA-B	Blank Pivot Action Handle Assembly w/ Retaining Nut and Spanner Bit
3	238A-PA	Pivot Action Metering Cartridge w/ Retaining Nut
4	238AB-PA	Pivot Action Metering Cartridge w/ Blank Pivot Action Handle, Retaining Nut and Spanner Bit
5	001000-45	Rosette Washer
6	000999-45	Brass Lock Washer
7	002954-45	Shank Lock Nut
8	000958-20	Coupling Nut
9	009598-45	Mouth Guard Screw
10	011299-40	Forged Brass Mouth Guard
11	009594-45	Flow Straightener
12	015318-45	Flow Control Screw
13	015319-45	O-Ring



Spanner Bit for  
Vandal Resistant Screw  
014734-45



Pivot Action Handle  
Vandal Resistant Screw  
016654-45

Product Specifications:

**Bubbler w/ /Forged Brass Mouth Guard, 1/2" NPSM  
Male Shank and Pivot Action Metering Cartridge**

Drawn <b>DMH</b>	Checked <b>GEF</b>	Approved <b>JHB</b>
Scale: <b>NTS</b>		Date: <b>07/09/08</b>