



# T&S BRASS AND BRONZE WORKS, INC.

2 Saddleback Cove / P.O. Box 1088  
Travelers Rest, SC 29690



REG. #A2601  
ISO #9001

Model No.

**B-2360-01-PA**

Item No.

Travelers Rest, SC: 800-476-4103 Simi Valley, CA: 800-423-0150 Fax: 864-834-3518 www.tsbrass.com

This Space for Architect/Engineer Approval

Job Name \_\_\_\_\_ Date \_\_\_\_\_

Model Specified \_\_\_\_\_ Quantity \_\_\_\_\_

Customer/Wholesaler \_\_\_\_\_

Contractor \_\_\_\_\_

Architect/Engineer \_\_\_\_\_



**ADA Compliant**

238AB-PA  
Pivot Action  
Metering Cartridge  
w/ Blank Handle and  
Vandal Resistant Screw.

Handle can be Oriented  
in any Position.



Vandal Resistant Screw.  
Loosen Screw (Do Not  
Remove) and Flip Handle  
Up to Access Metering  
Adjustment.  
(Metering Adjustment  
Requires 3/32" Hex Key)

009595-45  
Flexible Mouth Guard

5 3/16"  
[132mm]

5/8" (Typ)  
[16mm]

Threaded Holes (4)  
on Bottom Flange  
Accept Anti-rotation  
Pins (012698-45)

1/2" NPSM Male  
Shank w/ Coupling Nut

Hidden Flow  
Control Screw

3 7/8"  
[99mm]

3 3/4"  
[96mm]

6 1/16"  
[154mm]



Furnished w/  
Spanner Bit for  
Vandal Resistant  
Screw.

Rough-In:  $\phi$  1" Hole

Product Specifications:

**Bubbler w/ Flexible Mouth Guard, 1/2" NPSM Male Shank  
and Pivot Action Metering Cartridge**

Drawn

**DMH**

Checked

**GEF**

Approved

**JHB**

Scale:

**1:2**

Date:

**07/09/08**



**T&S BRASS AND BRONZE WORKS, INC.**

2 Saddleback Cove / P.O. Box 1088  
Travelers Rest, SC 29690



REG. #A2601  
ISO #9001

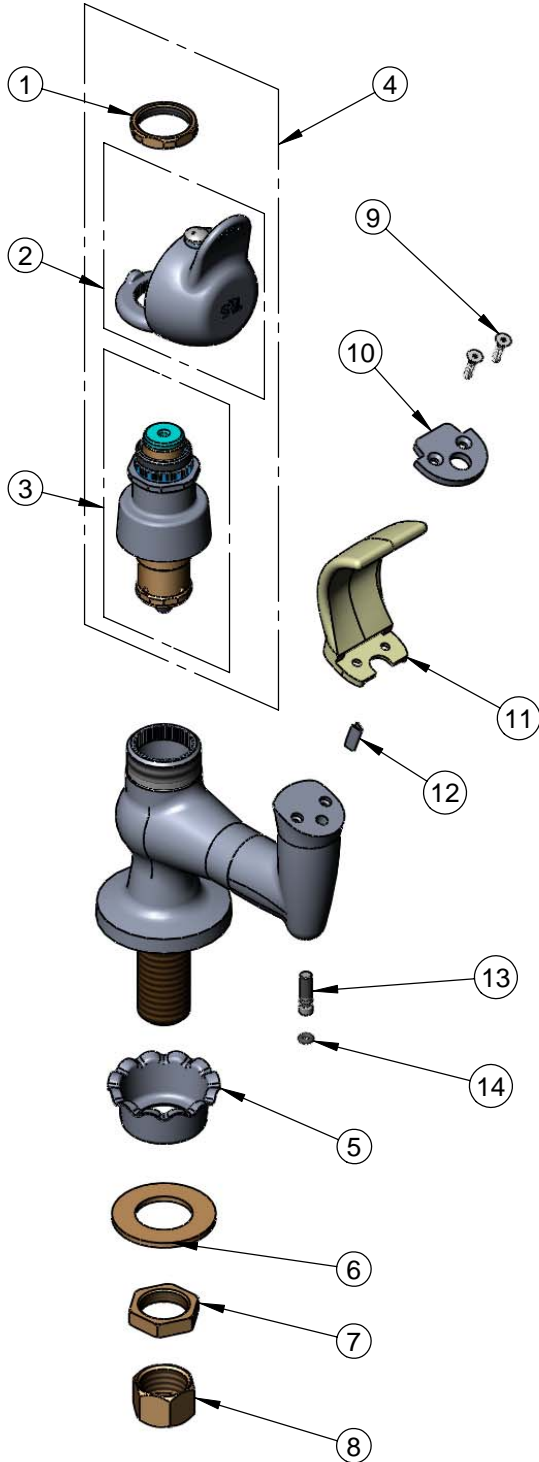
Model No.

**B-2360-01-PA**

Item No.

Travelers Rest, SC: 800-476-4103 Simi Valley, CA: 800-423-0150 Fax: 864-834-3518 www.tsbrass.com

ITEM NO.	SALES NO.	DESCRIPTION
1	PA-N	Retaining Nut
2	PA-B	Blank Pivot Action Handle Assembly w/ Retaining Nut and Spanner Bit
3	238A-PA	Pivot Action Metering Cartridge w/ Retaining Nut
4	238AB-PA	Pivot Action Metering Cartridge w/ Blank Pivot Action Handle, Retaining Nut and Spanner Bit
5	001000-45	Rosette Washer
6	000999-45	Brass Lock Washer
7	002954-45	Shank Lock Nut
8	000958-20	Coupling Nut
9	009598-45	Mouth Guard Screw
10	009596-40	Mouth Guard Holder
11	009595-45	Rubber Mouth Guard
12	009594-45	Flow Straightener
13	015318-45	Flow Control Screw
14	015319-45	O-Ring



Product Specifications:

**Bubbler w/ Flexible Mouth Guard, 1/2" NPSM Male Shank  
and Pivot Action Metering Cartridge**

Drawn	Checked	Approved
<b>DMH</b>	<b>GEF</b>	<b>JHB</b>
Scale:		Date:
<b>NTS</b>		<b>07/09/08</b>