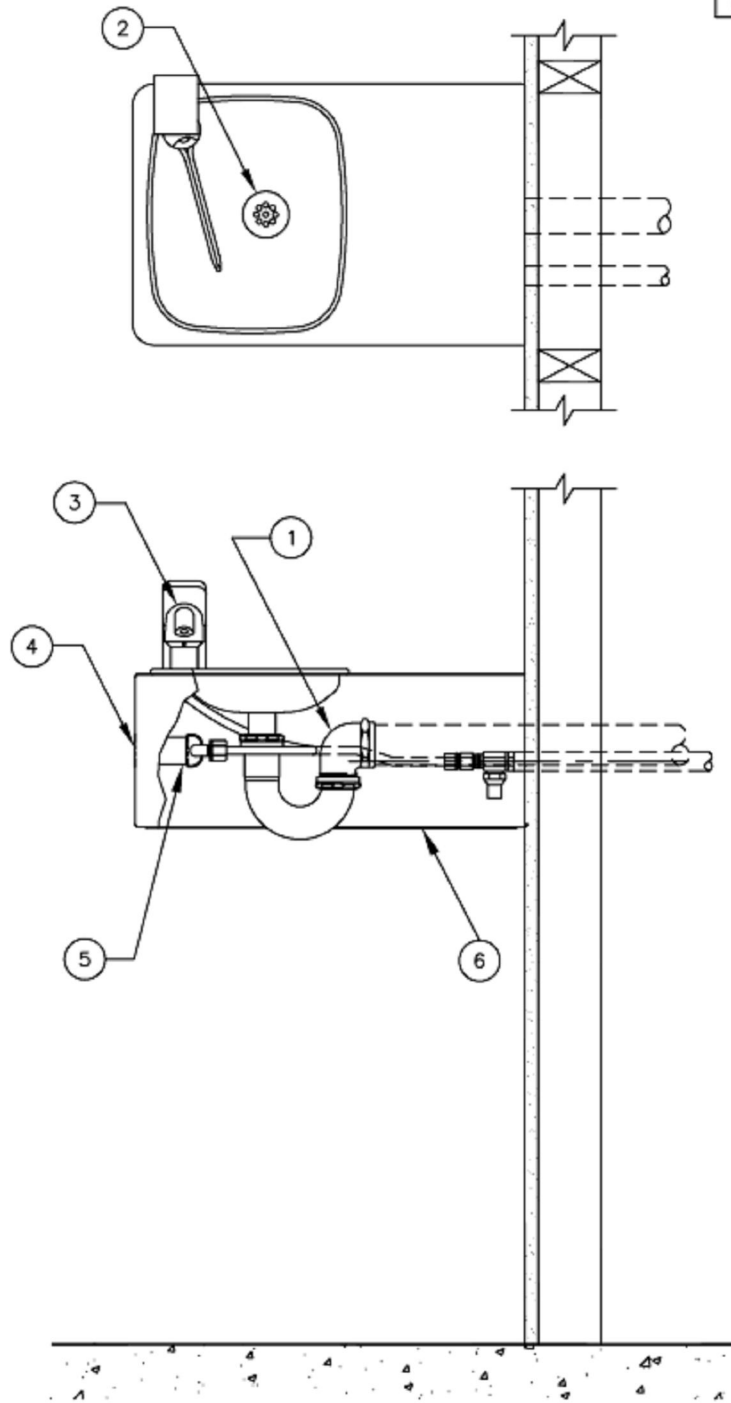


ITEM	DESCRIPTION
1	TRAP SP95
2	STRAINER ASSY 6466
3	BUBBLER HEAD 5703M
4	PUSH BTN ASS'Y PBA7
5	VALVE 5874
6	ACCESS PLATE PBM1025

PARTS BREAKDOWN

Haws 1025G



www.DrinkingFountainDoctor.com
1-800-518-5388

REV	DESCRIPTION	EDH	DATE	BY/APP'D
REVISIONS				