



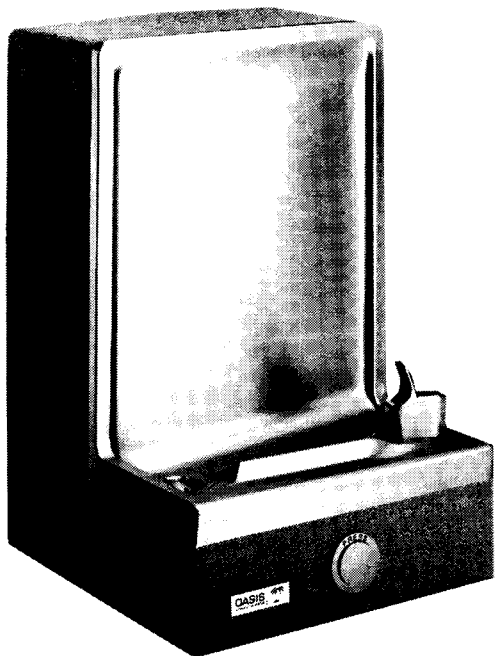
AQUARIUS
WAVES

Kelvinator

White-Westinghouse®

ILLUSTRATED PARTS BREAKDOWN

WATER COOLER MODELS
PLF8SKPE PLF8SKTP

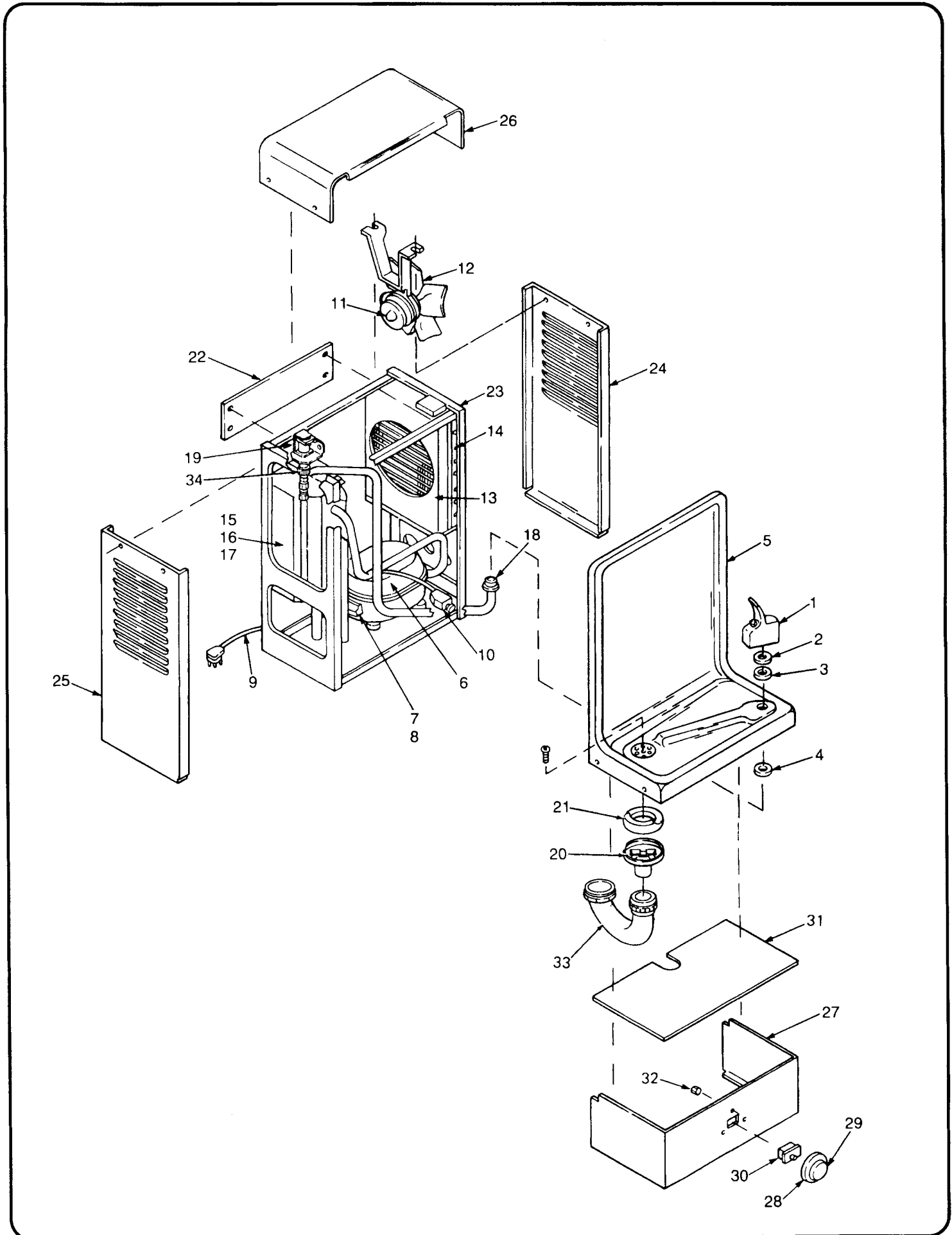


SPECIFICATIONS

Voltage	115 VAC ±10%/1PH/60 Hertz
Size (Approx)	26-1/2" H., 17-1/2" W., 18-1/2" D.
Shipping Weight (Approx)	67 LBS.
Cold Water Capacity (GPH)*	8
Compressor (HP)	1/5
Compressor (Amps) (Full Load)	6
Refrigerant	R-12
Refrigerant Charge	5.0 OZ.

* A.R.I. Rating: Room Temperature 90°F; Supply Water Temperature 80°F; Drinking Water Temperature 50°F. Based on standard test procedures.

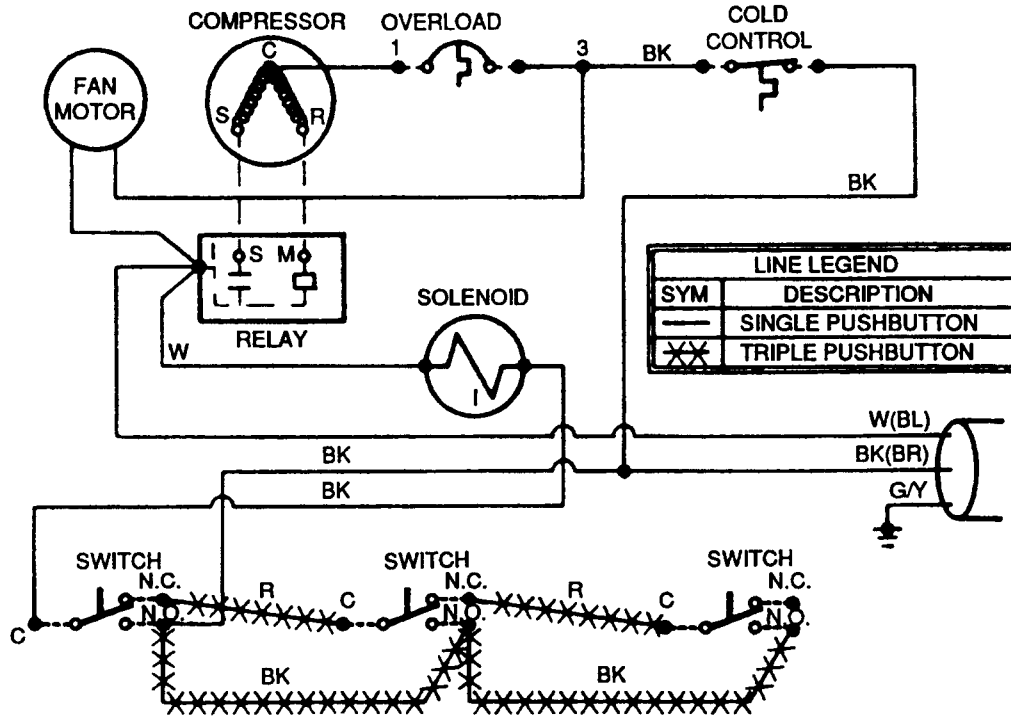
Specifications subject to change without notice.



PARTS LIST

ITEM NO.	DESCRIPTION	PLF8SKPE	PLF8SKTP
1	12000A Bubbler Valve	030774-004	030774-004
2	Valve Body Gasket	028706-006	028706-006
3	Friction Washer	028706-013	028706-013
4	Bubbler Spud Gasket	028706-001	028706-001
5	Simulated Recessed Top – Stainless Steel	028849-001	028849-001
6	Compressor Assembly (Includes Items 7 and 8)	027256-003	027256-003
7	Relay	017978	017978
8	Overload	016942-005	016942-005
9	Service Cord	026540-004	026540-004
10	Cold Control	027040-007	027040-007
11	Fan Motor	027354-009	027354-009
12	Fan Blade	022977	022977
13	Shroud	029125-001	029125-001
14	Condenser	029111-001	029111-001
15	Insulated Cooling Tank Assembly	029108-003	029108-003
16	Cooling Tank Insulation LH	028661-001	028661-001
17	Cooling Tank Insulation RH	028660-001	028660-001
18	Bubbler Supply Spud	028701-002	028701-002
19	Solenoid Valve	031011-001	031011-001
20	Waste Assembly	023046-001	023046-001
21	Waste Gasket	018050	018050
22	Hanger Bracket and Barrier Assembly	025662-003	025662-003
23	Frame Assembly	022967	022967
24	Right Side Panel – Sandstone	022979-002	022979-002
	Right Side Panel – Stainless Steel	023036	023033
	Right Side Panel – Painted	023038	023038
25	Left Side Panel – Sandstone	022980-002	022980-002
	Left Side Panel – Stainless Steel	023035	023035
	Left Side Panel – Painted	023037	023037
26	Cap – Sandstone	031068-005	031068-005
	Cap – Stainless Steel	031068-003	031068-003
	Cap – Painted	031068-002	031068-002
27	Wrapper – Sandstone	031069-204	---
	Wrapper – Stainless Steel	031069-202	---
	Wrapper – Painted	031069-201	---
	Wrapper – SAN TP	---	031069-304
	Wrapper – STN TP	---	031069-302
	Wrapper – Painted TP	---	031069-301
28	Bezel	024816	024816
29	Push Button	024817	024817
30	Switch	024764	024764
31	Support Plate	023391	023391
32	Self Threading Hex Nut	020203	020203
33	Waste Trap Assembly	027542-001	027542-001
34	Male Fitting w/Gasket – GHT X 1/4 NPT (Solenoid Valve Inlet)	031033-001	031033-001
Not Shown			
	Male Fitting Gasket	028706-024	028706-024

ELECTRICAL DIAGRAMS



OASIS® & AQUARIUS® are registered trademarks of EBCO Manufacturing Company
 The trademarks Kalvinator® and White-Westinghouse® are used under license from White Consolidated Industries, Inc.

EBCO® MANUFACTURING COMPANY

265 N. Hamilton Rd. • P.O. Box 13150 • Columbus, OH 43213-0150 • 614/861-1350 • Fax: 614/861-5017

Copyright 1993 EBCO Manufacturing Co.