



**AQUARIUS**  
~ ~ ~

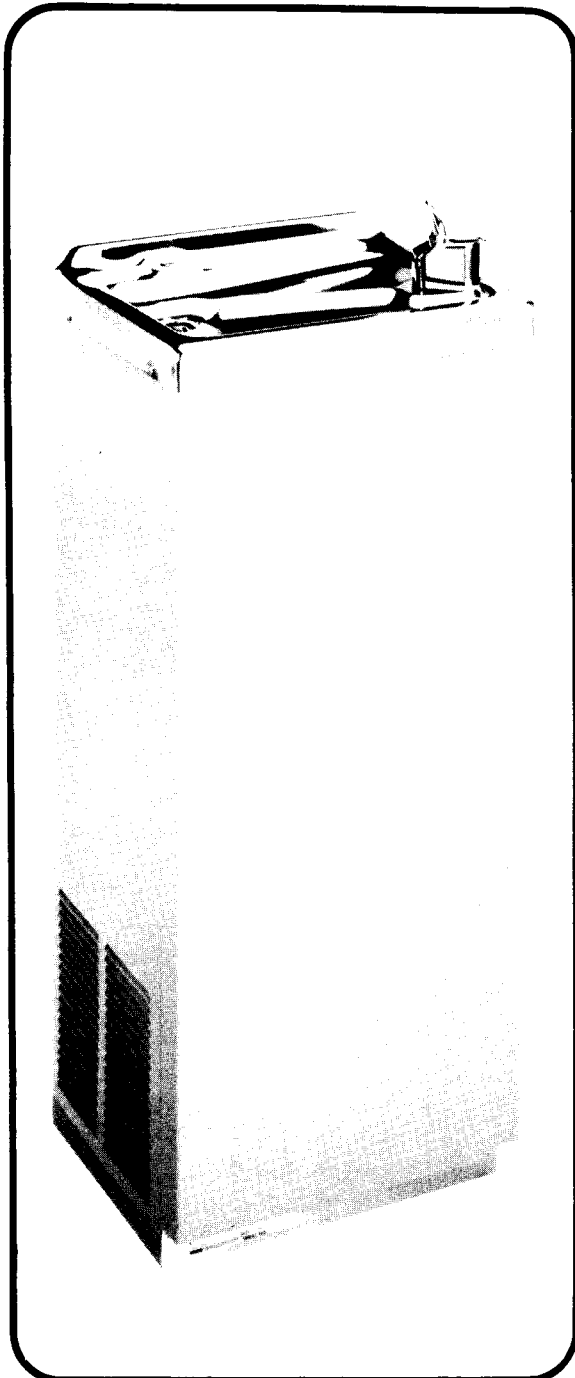
*Kelvinator*

White-Westinghouse®

# ILLUSTRATED PARTS BREAKDOWN

## WATER COOLER MODELS:

**PLF8FA-100    PLF14FA-100**  
**PLF8FAH-100    PLF14FAH-100**  
**PSF8FA-100**



## SPECIFICATIONS

### FOR MODELS PLF8FA AND PLF8FAH

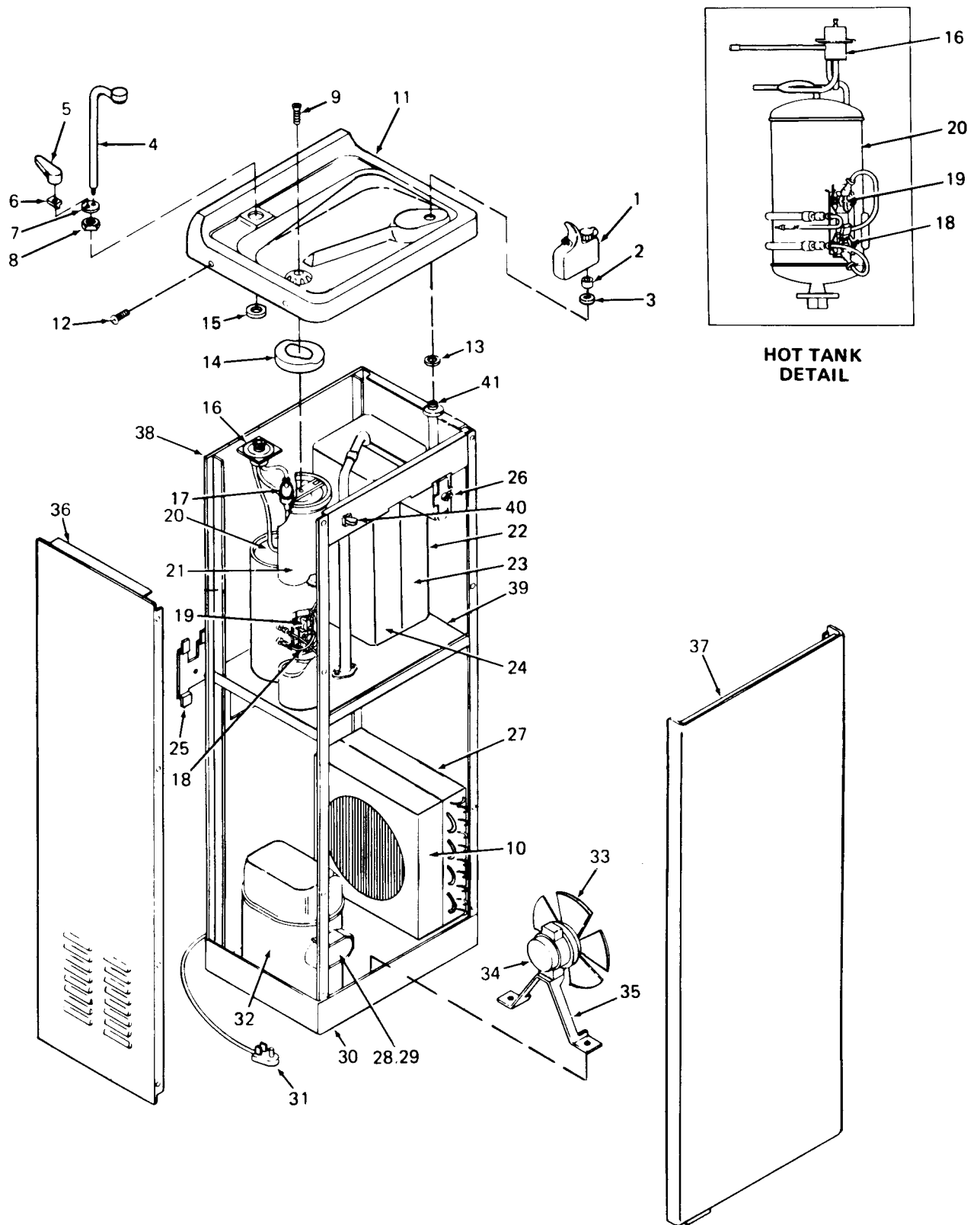
|                          |                           |
|--------------------------|---------------------------|
| Voltage                  | 115 VAC ±10%/1PH/60 Hertz |
| Size                     | 40" H., 17" W., 14" D.    |
| Shipping Weight (Approx) | 96 LBS.                   |
| Cold Water Capacity      | 8 GPH                     |
| Compressor               | 1/5 HP                    |
| Compressor (Full Load)   | 5.0 Amps                  |
| Hot Tank                 | 4.3 Amps                  |
| Refrigerant              | 134A                      |
| Refrigerant Charge       | 4.75 OZ. (134 GRAMS)      |

### FOR MODELS PLF14FA AND PLF14FAH

|                          |                           |
|--------------------------|---------------------------|
| Voltage                  | 115 VAC ±10%/1PH/60 Hertz |
| Size                     | 40" H., 17" W., 14" D.    |
| Shipping Weight (Approx) | 96 LBS.                   |
| Cold Water Capacity      | 14 GPH                    |
| Compressor               | 1/5 HP                    |
| Compressor (Full Load)   | 5.0 Amps                  |
| Hot Tank                 | 4.3 Amps                  |
| Refrigerant              | 134A                      |
| Refrigerant Charge       | 4.75 OZ. (134 GRAMS)      |

\*A.R.I. Rating: Room Temperature 90°F; Supply Water Temperature 80°F; Drinking Water Temperature 50°F.

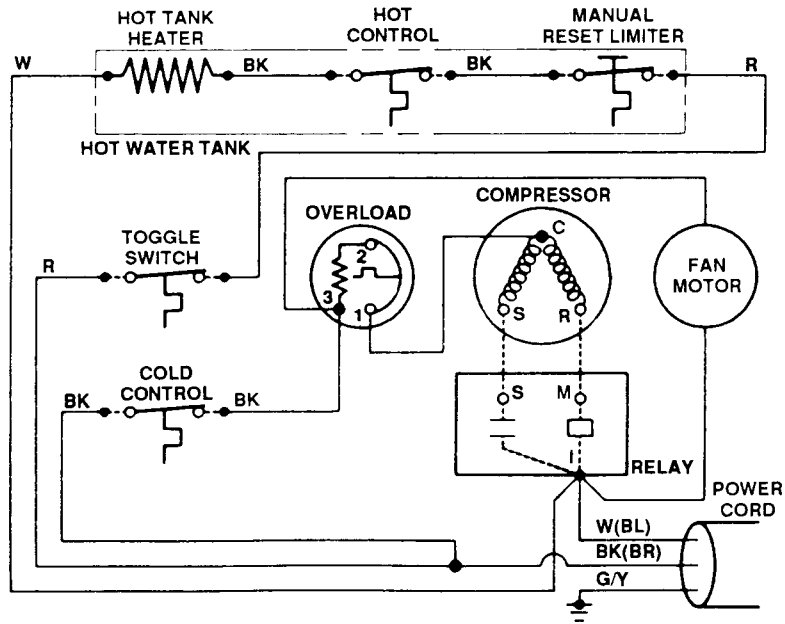
Specifications subject to change without notice.



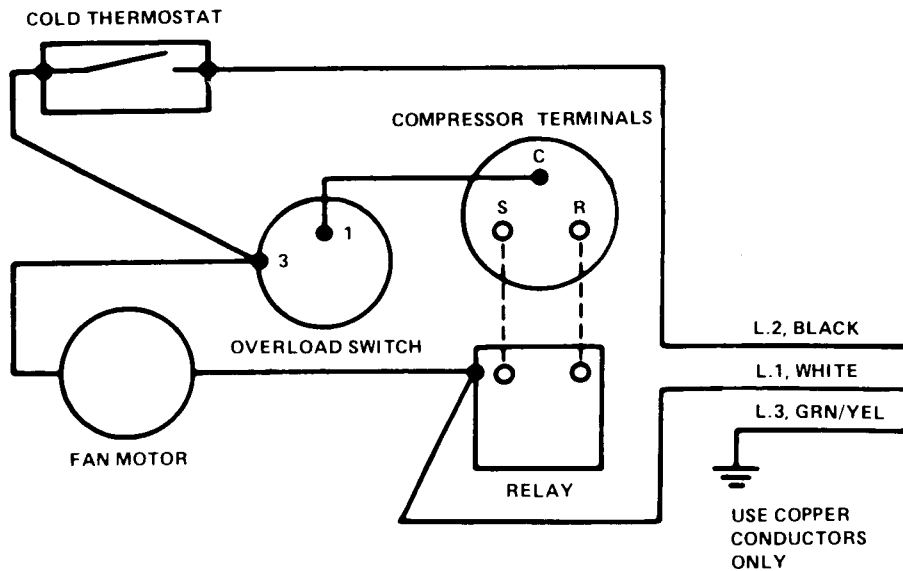
## PARTS LIST

| ITEM NO.         | DESCRIPTION                               | PLF8FA<br>PLF14FA<br>PSF8FA | PLF8FAH<br>PLF14FAH |
|------------------|---|-----------------------------|---------------------|
| 1                | 12000A Bubbler Valve .....                | 030774-002                  | 030774-002          |
| 2                | Bubbler Valve Gasket .....                | 028706-006                  | 028706-006          |
| 3                | Friction Washer .....                     | 028706-013                  | 028706-013          |
| 4                | Gooseneck .....                           | ---                         | 017590              |
| 5                | Handle .....                              | ---                         | 017925              |
| 6                | Tee Nut .....                             | ---                         | 017926              |
| 7                | Cover .....                               | ---                         | 017927              |
| 8                | Nut .....                                 | ---                         | 017583              |
| 9                | Drain Screw .....                         | 026655-002                  | 026655-002          |
| 10               | Condenser Shroud .....                    | 026416                      | 026416              |
| 11               | Top .....                                 | 028965-005                  | 028965-002          |
| 12               | Top Screw .....                           | 026630-005                  | 026630-005          |
| 13               | Gasket (Under Top) .....                  | 028706-001                  | 028706-001          |
| 14               | Waste Gasket .....                        | 018050                      | 018050              |
| 15               | Hot Valve Gasket .....                    | ---                         | 017582              |
| 16               | Hot Valve Body Assembly .....             | ---                         | 026693              |
| 17               | Check Valve .....                         | ---                         | 026274              |
| 18               | Hot Thermostat Kit w/Clip .....           | ---                         | 028603-001          |
| 19               | Heat Limiter Kit w/Clip .....             | ---                         | 028604-001          |
| 20               | Hot Tank .....                            | ---                         | 029359-001          |
| 21A              | Waste Assembly (PLF8FA) .....             | 018406-001                  | 018406-002          |
| 21B              | Precooler (PLF14FA) .....                 | 026067-004                  | 031515-001          |
| 22               | Insulated Cooling Tank Assembly .....     | 031703-001                  | 031703-001          |
| 23               | Cooling Tank Insulation (RH) .....        | 028660-001                  | 028660-001          |
| 24               | Cooling Tank Insulation (LH) .....        | 028661-001                  | 028661-001          |
| 25               | Utility Cover – Painted .....             | 018456                      | 018456              |
|                  | Utility Cover – Stainless Steel .....     | 018480                      | 018480              |
| 26               | Cold Control .....                        | 027040-007                  | 027040-007          |
| 27               | Condenser .....                           | 019743-001                  | 019743-001          |
| 28               | Relay .....                               | 031698-001                  | 031698-001          |
| 29               | Overload .....                            | 031697-001                  | 031697-001          |
| 30               | Base .....                                | 018379-002                  | 018379-002          |
| 31               | Service Cord .....                        | 026540-038                  | 026540-038          |
| 32               | Compressor (Includes Items 28 & 29) ..... | 031525-003                  | 031525-003          |
| 33               | Fan Blade .....                           | 022977                      | 022977              |
| 34               | Fan Motor .....                           | 027354-026                  | 027354-026          |
| 35               | Fan Motor Bracket .....                   | 017557                      | 017557              |
| 36               | Side Panel – Painted .....                | 019403-001                  | 019403-001          |
|                  | Side Panel – Stainless Steel .....        | 019403-002                  | 019403-002          |
| 37               | Front Panel – Painted .....               | 018385-001                  | 018385-001          |
|                  | Front Panel – Stainless Steel.....        | 018385-003                  | 018385-003          |
| 38               | Rear Panel – Painted .....                | 018384                      | 018384              |
|                  | Rear Panel – Stainless Steel .....        | 018479                      | 018479              |
| 39               | Shelf Assembly .....                      | 026110-001                  | 026110-001          |
| 40               | Rocker Switch .....                       | ---                         | 029545-001          |
| 41               | Bubbler Spud .....                        | 028701-002                  | 028701-002          |
| <b>NOT SHOWN</b> |   |                             |                     |
|                  | Drier (Refrigerant) .....                 | 031593-003                  | 031593-001          |
|                  | Glass Filler Installation Kit .....       | 031505-001                  | ---                 |
|                  | Foot Pedal Kit .....                      | 026645-011                  | 026645-011          |
|                  | Hole Cover .....                          | 016994                      | ---                 |
|                  | Selecto Filter (PSF8FA only) .....        | 029681-002                  | ---                 |

# ELECTRICAL DIAGRAMS



**PLF8FAH  
PLF14FAH**



**PLF8FA  
PLF14FA  
PSF8FA**

OASIS® & AQUARIUS® are registered trademarks of EBCO Manufacturing Company.  
The trademarks Kelvinator® and White-Westinghouse® are used under license from White Consolidated Industries, Inc.

**EBCO**® MANUFACTURING COMPANY

265 N. Hamilton Rd. • P.O. Box 13150 • Columbus, OH 43213-0150 • 614/861-1350 • Fax: 614/861-5017

Printed in U.S.A.  
Copyright 1994 EBCO Manufacturing Co.