

# Installation/Care/Use Manual

USES HFC-134A REFRIGERANT

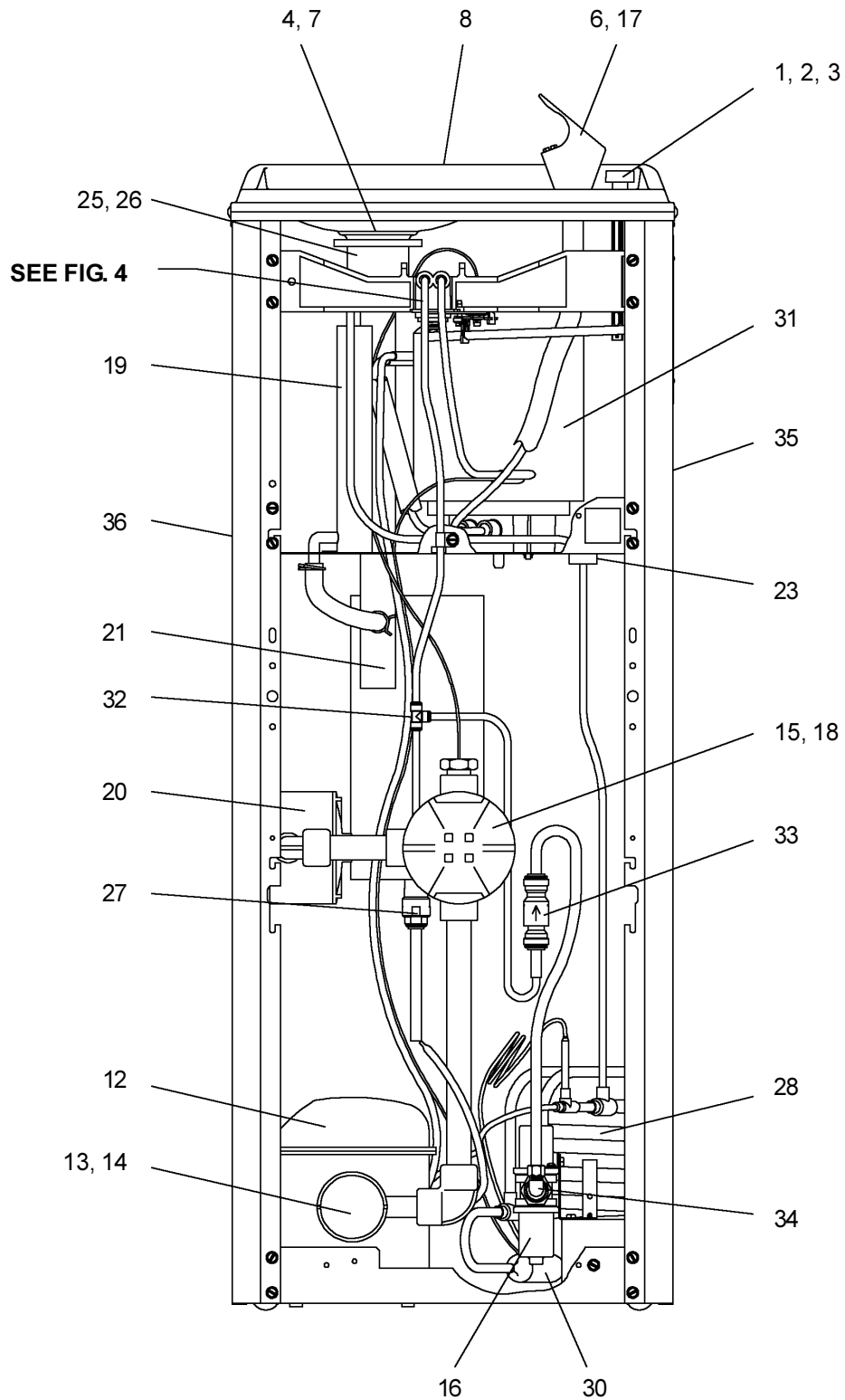


FIG. 1

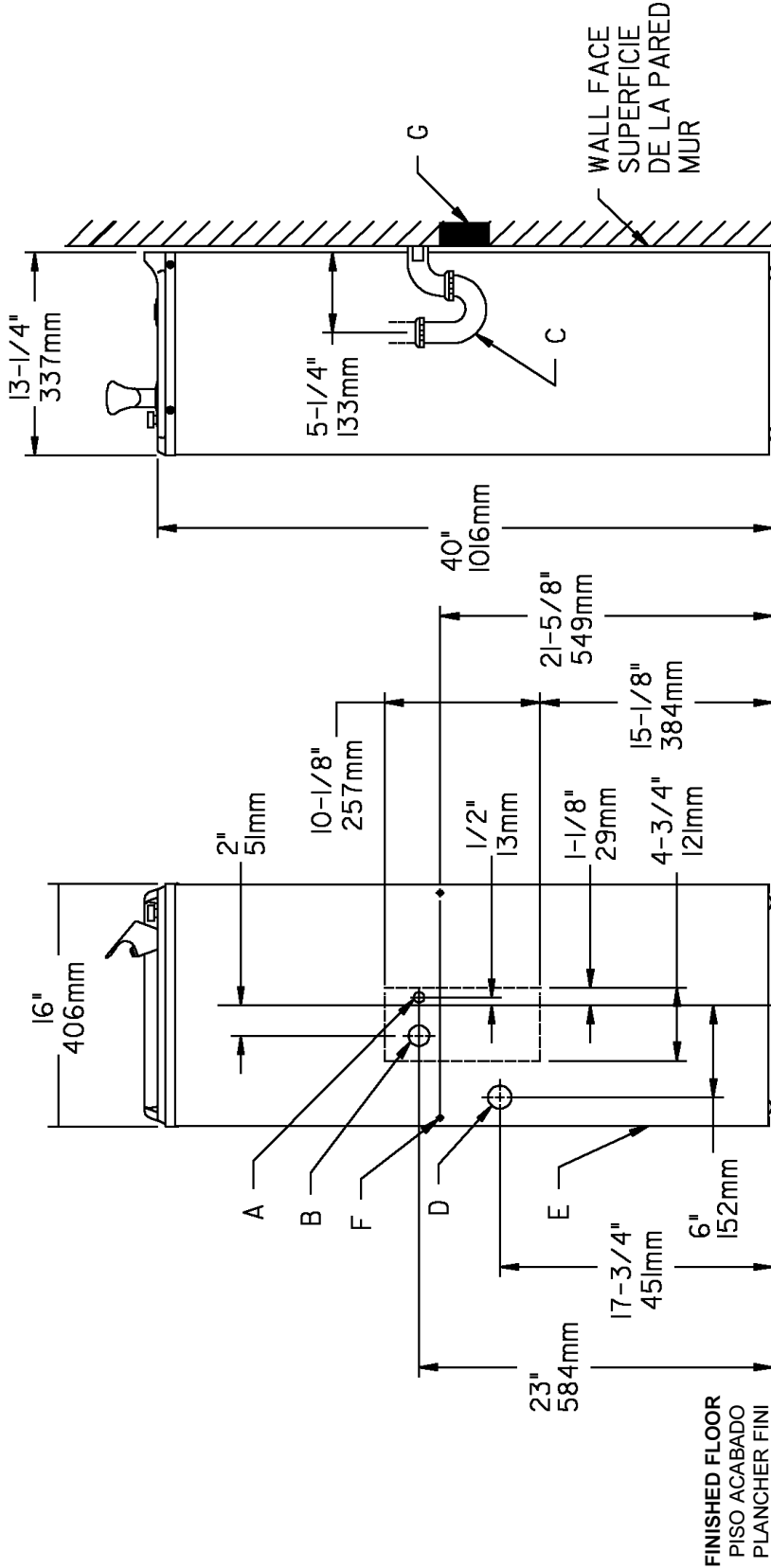


FIG. 2

**LEGEND/LEYENDA/LÉGENDE**

**A = RECOMMENDED WATER SUPPLY LOCATION 3/8 O.D. UNPLATED COPPER TUBE CONNECT STUB 1-1/2 IN. (38mm) OUT FROM WALL SHUT OFF BY OTHERS**  
 SE RECOMIENDA UBICAR EL TUBO CORTO DE CONEXIÓN AL TUBO DE COBRE SIN CHAPAR DE 3/8" DE DIÁM. EXT. A 1-1/2" (38mm) FUERA DE LA LAVÉ DE PASO EN LA PARED COLOCADA POR TERCEROS.  
 EMPACEMENT RECOMMANDÉ D'ALIMENTATION EN EAU PAR TUBE EN CUIVRE NON PLAQUÉ DE 3/8 PO. (9.5 mm) D.E. CONTACTANT UNE TUYAUTERIE DE 1-1/2 PO. (38mm) DEPUIS LE ROBINET D'ARRÊT FOURNI PAR D'AUTRES.

**B = RECOMMENDED LOCATION FOR WASTE OUTLET 1-1/4" O.D. DRAIN**  
 UBICACION RECOMENDADA PARA EL DRENAJE DE SALIDA DE AGUA, DE 1 1/4" DE DIÁMETRO.  
 EMPACEMENT RECOMMANDÉ POUR LE DRAIN DE D.E. 1-1/4" DE SORTIE D'EAU.  
 PURGADOR DE 1 1/4" NO PROPORCIONADO\*\*  
 SIPHON 1-1/4" NON FOURNI\*\*

**D = ELECTRICAL OUTLET LOCATION**  
 UBICACION DE LA TOMA DE ELECTRICIDAD  
 EMPACEMENT DE LA PRISE DE COURANT

**E = INSURE PROPER VENTILATION BY MAINTAINING 4" (102mm) (MIN.) CLEARANCE FROM CABINET LOUVERS TO WALL.**  
 ASEGURE UNA VENTILACION ADECUADA MANTENIENDO UN ESPACIO E 4" (102mm) (MIN.) DE HOLLGURA ENTRE LA REJILLA DE VENTILACION DEL MUEBLE Y LA PARED  
 ASSUREZ-VOUS UNE BONNE VENTILATION EN GARDANT 4" (102mm) (MIN.) ENTRE LES ÉVÉNENTS DE L'ENCEINTE ET LE MUR

**F=WALL SCREW HOLES**  
 AGUJEROS DE TORNILLOS DE PARED  
 TROUS DE VIS DU MUR  
**G = 2 X 4 BLOCKING**  
 BLOQUEO DE 2 X 4  
 BLOC 2 X 4

## CONDENSER WATER VALVE ADJUSTMENT

The condenser water valve is factory preset for a condenser water outlet temperature of 95° to 105° F. If actual temperature varies greatly from this, readjust water flow rate at the valve using the following procedures.

**1. START UP COMPRESSOR**

This can be accomplished by depressing the cooler push button (See Fig. 1 - Item 3). Keep water running during the entire re-adjustment procedure.

**2. ADJUSTMENT CONDENSER WATER VALVE**

Adjust valve by rotating adjustment stem. Rotating stem clockwise will decrease water flow. Counterclockwise rotation will increase water flow. Increasing water flow will result in a lower condenser outlet temperature, while decreasing water flow will result in a higher outlet temperature. Proper adjustment is attained when condenser outlet temperature is 95° to 105° F.

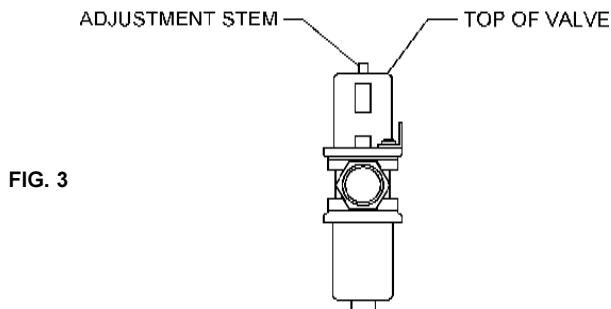


FIG. 3

### PUSH BUTTON VALVE ADJUSTMENT

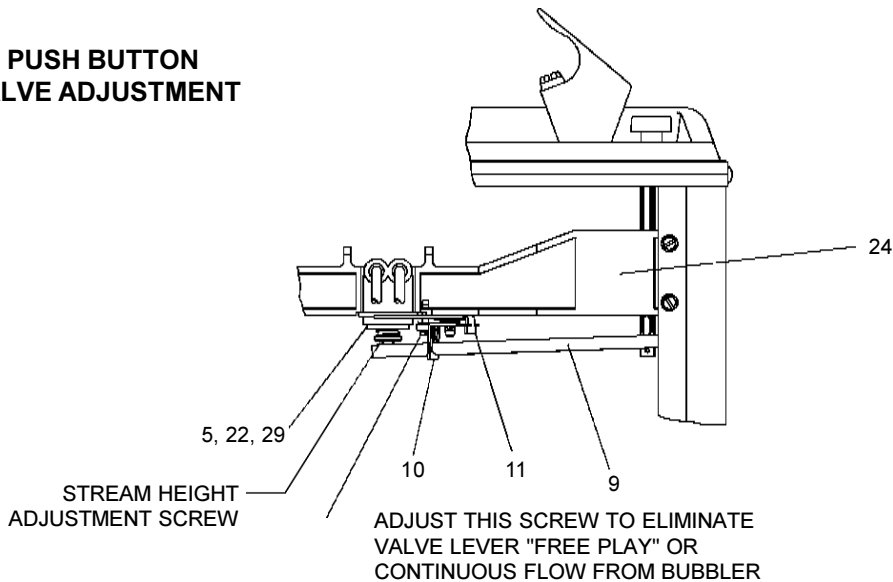
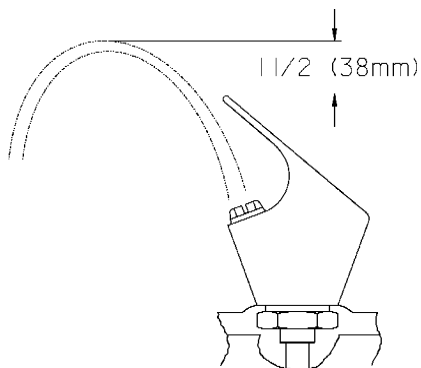


FIG. 4



**CORRECT STREAM HEIGHT**

PARTS LIST 115V		
ITEM	PART NO.	DESCRIPTION
1	101452331870	Stem Bushing
2	101507531550	Push Button Stem
3	101453431640	Cap Push Button
4	102639931640	Drain Plug
5	15005C	Nut-Regulator Retaining
6	15008C	Bubbler Nipple
7	160270508640	Strainer Plate
8	171403742590	Basin
9	26860C	Regulator Lever
10	26861C	Pivot Bracket
11	26862C	Regulator Retaining Bracket
12*	35790C	Compressor
13	35797C	Overload
14	35803C	Relay
15	35892C	Cold Control
16	40136C	Valve - Wtr Temp
17	45314C	Bubbler
18	45340C	Electrical Box-Cold Control
19	45346C	Vacuum Break
20	45347C	Electrical Box-Power Connection
21	45689C	Tailpipe Assy
22	50986C	Regulator Holder
23	51454C	Snap Bushing
24	55880C	Regulator Mounting Bracket
25	55885C	Nut 1-1/4 Slip Joint
26	55913C	Adaptor-Drain W/O Holes
27	55996C	Strainer
28	601418151550	Condenser Assy
29	61314C	Regulator
30	66202C	Drier
31	66505C	Evaporator
32	70682C	Tee - 1/4 x 1/4 x 1/4
33	75494C	Check Valve
34	75561C	Elbow - 3/8
35	401536242830	Right Panel
36	401536342830	Left Panel
NS	401507442830	Front Panel

\*REPLACE WITH SAME COMPRESSOR USED IN ORIGINAL ASSEMBLY.  
 NOTE: All correspondence pertaining to ELKAY water coolers or orders for repair parts MUST include Model No. and Serial No. of cooler, name and part number of replacement part.

[www.DrinkingFountainDoctor.com](http://www.DrinkingFountainDoctor.com)

800-518-5388

PRINTED IN U.S.A.

ELKAY MANUFACTURING COMPANY • 2222 CAMDEN COURT • OAK BROOK, IL

97345C (6/98)

PAGE 4