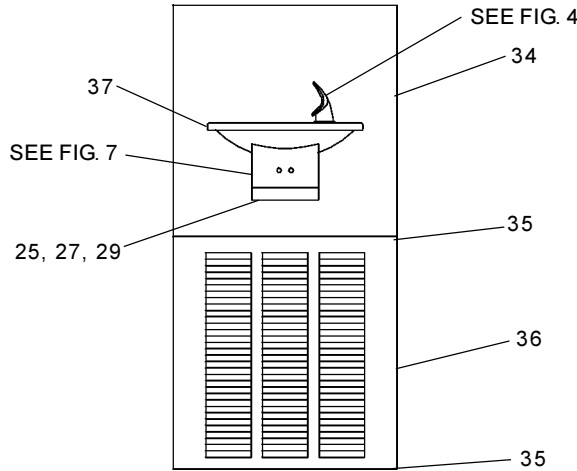


Installation/Care/Use Manual

SwirlFlo® Refrigerated Fountains with FLEXI-GUARD®



Installer

To assure you install this model easily and correctly, PLEASE READ THESE SIMPLE INSTRUCTIONS BEFORE STARTING THE INSTALLATION. CHECK YOUR INSTALLATION FOR COMPLIANCE WITH PLUMBING, ELECTRICAL AND OTHER APPLICABLE CODES. After installation, leave these instructions inside the fountain for future reference.

IMPORTANT

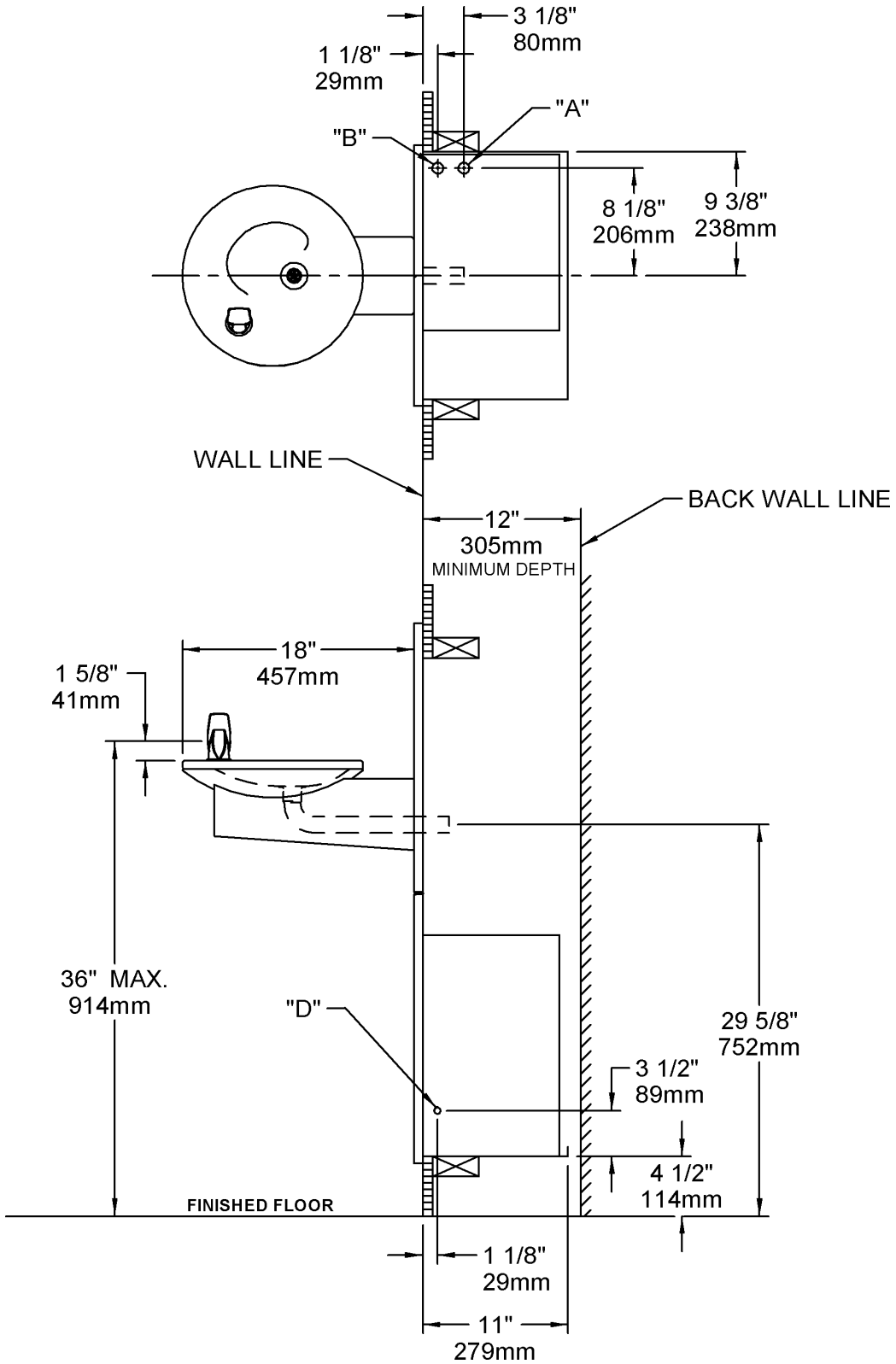
ALL SERVICE TO BE PERFORMED BY AN AUTHORIZED SERVICE PERSON

IMPORTANT! INSTALLER PLEASE NOTE.

THE GROUNDING OF ELECTRICAL EQUIPMENT SUCH AS TELEPHONE, COMPUTERS, ETC. TO WATER LINES IS A COMMON PROCEDURE. THIS GROUNDING MAY BE IN THE BUILDING OR MAY OCCUR AWAY FROM THE BUILDING. THIS GROUNDING CAN CAUSE ELECTRICAL FEEDBACK INTO A FOUNTAIN, CREATING AN ELECTROLYSIS WHICH CAUSES A METALLIC TASTE OR AN INCREASE IN THE METAL CONTENT OF THE WATER. THIS CONDITION IS AVOIDABLE BY USING THE PROPER MATERIALS AS INDICATED. ANY DRAIN FITTINGS PROVIDED BY THE INSTALLER SHOULD BE MADE OF PLASTIC TO ELECTRICALLY ISOLATE THE FOUNTAIN FROM THE BUILDING PLUMBING SYSTEM.

<p>FIG. 1</p>	<p style="text-align: center;">OPERATION OF QUICK CONNECT FITTINGS</p> <p>FIG. 2</p>
<p>FIG. 3</p>	<p>FIG. 4</p>

MODEL ENOA8C



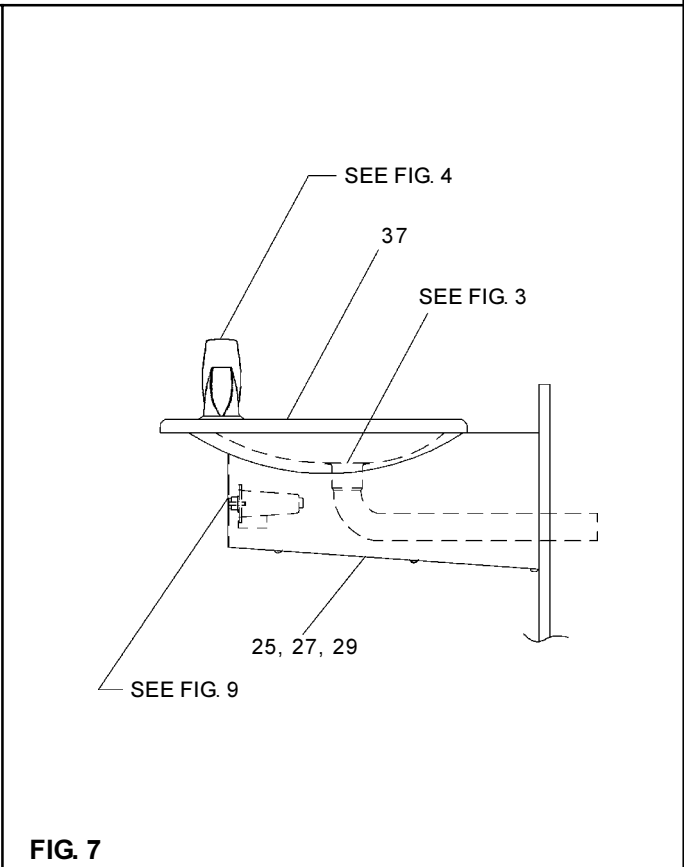
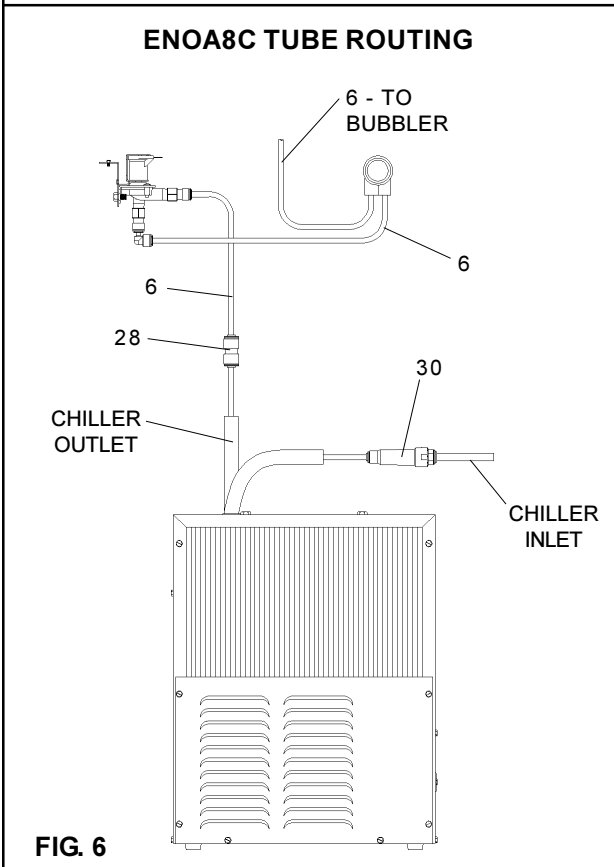
LEGEND

- A = 1/4" O.D. TUBE CONNECT (CHILLER WATER OUTLET)
- B = 3/8" O.D. TUBE CONNECT (CHILLER WATER INLET) SHUT OFF VALVE BY OTHERS
- C = 1-1/4" TRAP NOT FURNISHED
- D = ELECTRICAL INLET

FIG. 5

INSTALLATION INSTRUCTIONS

1. **Install** remote chiller. Remove front panel of chiller. Remove and discard cardboard inner pack from between compressor and side panel. Slide chiller onto the shelf and position it to the left side of shelf. (See Figure 5)
NOTE: Building construction must allow for adequate air flow on both sides, top, and back of chiller. See chiller instructions for additional instructions.
2. **Make** water supply connections. Install a shut-off valve and union connection to building water supply (valve and union not provided). Turn on the water supply and flush the line thoroughly.
3. **ENOA MODELS:** Make connection between remote chiller and building supply line. Inlet port is marked on the chiller (1/4" O.D. copper tube). Bend the copper tube (provided) at an appropriate length from chiller to opening in frame. Install the in-line strainer (provided with chiller) by pushing it in until it reaches a positive stop, approximately 3/4" (19mm) on the marked chiller inlet port. Connect building supply line to strainer. **DO NOT SOLDER TUBES INSERTED INTO THE STRAINER AS DAMAGE TO THE O-RINGS MAY RESULT.** (See Figure 6)
4. **Hang** the upper panel on the mounting frame hanger. Align holes in the panel with the holes in the mounting frame. Be sure that panel is engaged with hanger at top of frame before releasing it.
5. **Install** the fountain. Remove access cover plate on underside of fountains and save the screws. Mount the fountain to the upper panel and the wall frame with (4) 5/16" x 1 3/4" (44mm) long bolts and nuts (provided). Install spacers on bottom two bolts. Tighten securely.
6. **Attach** waste tube (1 1/4" OD) to 1 1/4" OD slip trap (provided by others).
7. **ENOA MODELS:** Make connections between remote chiller outlet tube and fountain. Outlet port is marked on the chiller (1/4" O.D. copper tube). Install a 1/4" x 1/4" union (provided) on the marked chiller outlet port. Insert the 1/4" poly tubing coming from the fountain into the union. Turn on water supply and check for leaks. **DO NOT SOLDER TUBES INSERTED INTO THE UNION AS DAMAGE TO THE O-RINGS MAY RESULT.** (See Figure 6).
8. **These** products are designed to operate on 20-105 PSIG supply line pressure. If inlet pressure is above 105 PSIG, a pressure regulator must be installed in the supply line. Any damage caused by reason of connecting these products to supply line pressures lower than 20 PSIG or higher than 105 PSIG is not covered by warranty.
9. **Make** electrical connections to the chiller. See chiller instructions.
10. **Check** stream height from bubbler. Stream height is factory set at 35 PSI. If supply pressure varies greatly from this, turn adjustment screw on regulator (Item 9). Clockwise adjustment will raise stream height and counter-clockwise will lower stream height. For best adjustment stream should hit basin approximately 6 1/2" from the bubbler.
11. **Mount** lower panel. Loosen the (2) #10-24 x 5/8" (16mm) screws at frame bottom lip. Slide upper tongue of lower panel under lower edge of already installed upper panel. Tighten previously loosened screws securely.
12. **Replace** bottom access panel to fountain basin using screws provided. Tighten securely.



PARTS LIST		
ITEM NO.	PART NO.	DESCRIPTION
1	56073C	Bubbler Assembly
2	40322C	Orifice Assembly
3	56011C	Housing Assembly
4	55997C	Pedestal
5	75580C	Bubbler Locknut
6	56092C	Poly Tubing (Cut To Length)
7	56082C	Retaining Nut
8	40045C	Hex Nut
9	61313C	Regulator
10	50986C	Holder-Regulator
11	22525C	Regulator Mounting Bracket
12	50203C	Strain Relief
13	70208C	Screw - #10-24 X .37 PHTC
14	31376C	Power Cord
15	75507C	Fitting - 1/4 NPTF X 1/4 O.D.
16	31272C	Solenoid Valve Assembly
17	38417001	Screw - #8-18 x .37 HHSM
18	22526C	Solenoid Mounting Bracket
19	70256C	Screw - 1/4-20 x .38 HHTC
20	70016C	Hex Nut #10-32
21	45336C	Strainer & Ferrule Assembly
22	50074C	Gasket - Tailpipe
23	50377C	Gasket - Tailpipe
24	31384C	Sensor - Clear
25	21846C	Cover Plate
26	45330C	Waste Arm
27	70055C	Speed Nut
28	70683C	Union - 1/4
29	22535C	Fountain Body & Shell
30	55996C	Strainer
31	51409C	Spacer - 1/2 X .44
32	70817C	Elbow - 1/4 X 1/4
33	38417001	Screw - #8-18 X .37 HHSM
34	28183C	Back Panel
35	111008343890	Screw - #10-24 x .62 HHMS
36	26833C	Lower Panel
37	55001026	Basin - Swirlflow
NS	70199C	Bolt - 5/16-18 x 1.75 Lg
NS	70020C	Nut - Hex 5/16-18
NS	74080053	Spacer

TROUBLE SHOOTING AND MAINTENANCE

- Orifice Assy:** Minerals deposits on orifice can cause water flow to spurt or not regulate. Mineral deposits may be removed from the orifice with a small round file not over 1/8" diameter or a small diameter wire. **CAUTION:** Do not file or cut orifice materials.
- Stream Regulator:** If orifice is free of material deposits regulate water flow according to instructions on page 3.
- Sensor Control:** The sensor has a 2 second delay time. If sensor fails to operate valve mechanism or operates erratically, check the following:
 - Ensure there are no obstructions within a 40 inch radius from the front of fountain.
 - Check wire connections at the solenoid valve and at the sensor. **CAUTION:** Make sure unit is unplugged before checking any wiring.
 - Ensure proper operation of solenoid valve. If there is an audible clicking sound yet no water flows, look for an obstruction in the valve itself or elsewhere in the water supply line. **WARNING:** Do not expose sensor to direct sunlight.
- Sensor Range Adjustment:** The electronic sensor used in this fountain is factory pre-set for a "visual" range of 36 inches. If actual range varies greatly from this, or a different setting is desired, follow the range adjustment procedure below:
 - Remove bottom cover of fountain.
 - Remove sensor by removing washers and nuts that secure sensor on studs.
 - Locate range adjustment screw between the red lenses of the sensor, then with a small tip screwdriver, rotate the range adjusting screw clockwise to increase range or counter-clockwise to decrease range. 1/4 turn of screw is equal to approximately 12 - 18 inches of range. **CAUTION:** Complete range of sensor (24 - 46 inches) is only one turn of the adjusting screw.
 - Remount sensor on studs and replace bottom cover.

