

Space-ette™ With FLEXI-GUARD®

Installation/Care/Use Manual

USES HFC-134A REFRIGERANT

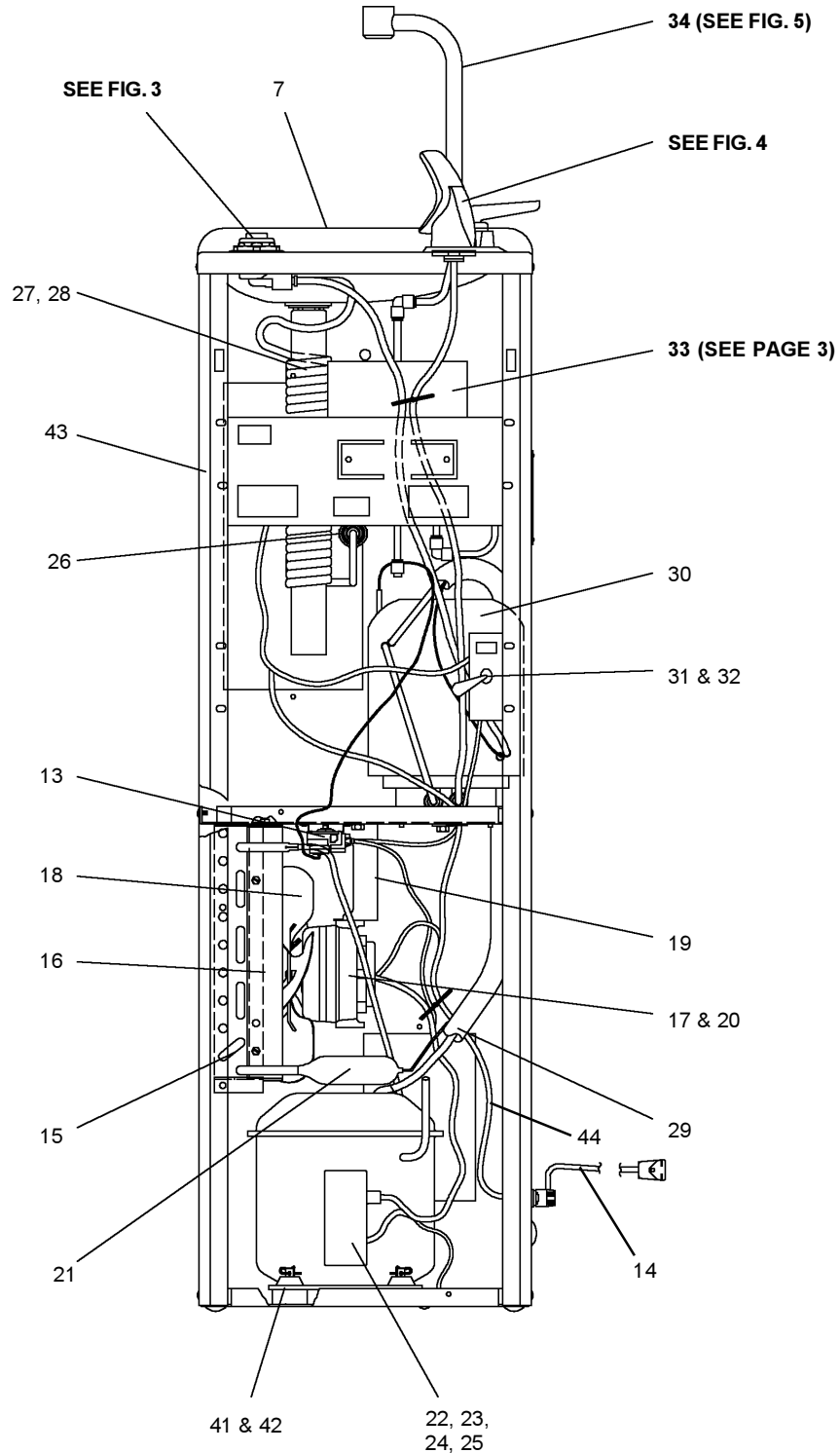
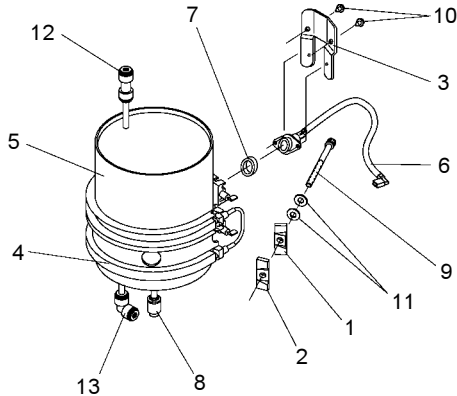


FIG. 1

SERVICING THE HOT CONTROL AND FUSE ASSEMBLY

1. A temperature sensing non-resetable fuse in the wire is located approximately 3" (76mm) from the thermostat. The fuse is located under the retaining bracket (Item 3) in the groove on the heater element jacket (Item 4).
2. The thermostat must be used with a washer-spacer (Item 7) and be centered in the heater element jacket for proper temperature control. Locate the heater element jacket about 3/4" (19mm) above the bottom of the tank.
3. The heater element jacket must be fastened **VERY TIGHTLY** to the tank (45+/-10 inch-lbs. of torque on the mounting screw Item 9). Failure to **TIGHTEN** heater element jacket may cause rapid failure of the fuse assembly.



HOT TANK PARTS LIST

ITEM NO.	PART. NO.	DESCRIPTION
1	22111C	Heater Clamping Bracket
2	22112C	Heater Clamping Bracket (thrd)
3	22113C	Retaining Bracket
4	30980C	Heater Element & Jacket
5	31386C	Tank & Tube Assy
6	31428C	Hot Control Assy
7	50787C	Washer-Spacer
8	70606C	Drain Plug
9	70607C	Screw 1/4-20 x 3.00" HSHC
10	70640C	Screw #8-18 x 5/16" HHTC
11	70659C	Belleville Washer
12	70683C	1/4 Union
13	70793C	1/4 Elbow
NS	22588C	Hot Tank Mounting Bracket

Stream height is factory set at 35 PSI. If supply pressure varies greatly from this, remove Items 1 & 2 and adjust screw on Item 4. Clockwise adjustment will raise stream and counter-clockwise adjustment will lower stream. For best adjustment, stream should hit basin approximately 6-1/2" (165mm) from bubbler.

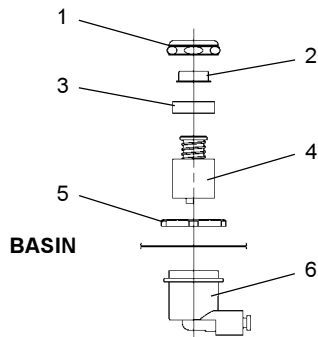
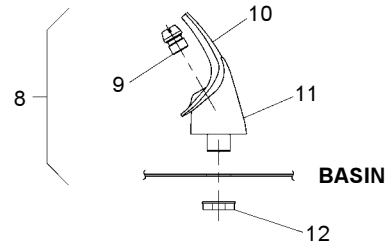


FIG. 3



NOTE:
WHEN INSTALLING REPLACEMENT BUBBLER AND PEDESTAL, TIGHTEN NUT (ITEM 12) ONLY TO HOLD PARTS SNUG IN POSITION. **DO NOT OVER TIGHTEN.**

FIG. 4

WIRING DIAGRAM

This Drawing is merely for illustrating the components of the electrical system.

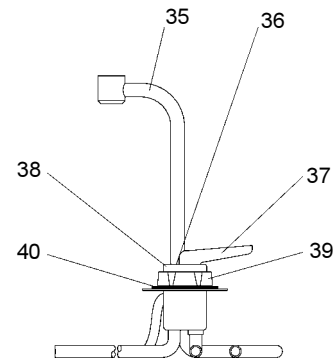
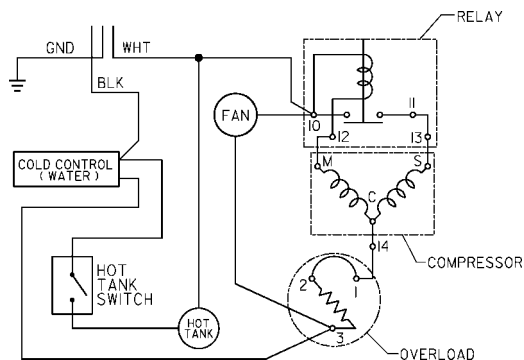


FIG. 5

PARTS LIST 115V

ITEM NO.	PART NO.	DESCRIPTION
1	40089C	Cover
2	40048C	Button
3	15005C	Regulator Retaining Nut
4	61313C	Regulator
5	40169C	Hex Nut
6	50986C	Regulator Holder
7	45439C	Basin & Precooler Assy
8	51349C	Bubbler Assy
9	40322C	Orifice Assy
10	50934C	Housing Assy
11	50168C	Pedestal
12	70012C	Bubbler Locknut
13	31513C	Cold Control
14	31455C	Cord - Power "JB"
	31456C	Cord - Power "JC"
	31457C	Cord - Power "JD"
	31458C	Cord - Power "JJ"
	31459C	Cord - Power "JS"
	31460C	Cord - Power "JM"
15	66303C	Condenser
16	50189C	Fan Shroud
17	31430C	Fan Motor
18	30664C	Fan Blade
19	20282C	Fan Bracket
20	70018C	Fan Blade Nut
21	66200C	Drier
22*	35788C	Compressor Serv. Pak
23	31035C	Overload/Relay Assy
24	31797C	Cover - Relay
25	194243901550	Electrical Shield
26	55996C	Strainer
27	40570C	Precooler Assy
28	55835C	Tailpipe Helix
29	66300C	Heat Exchanger
30	66504C	Evaporator
31	21591C	Hot Tank Switch Bracket
32	30010C	Hot Tank Switch
33	31406C	Hot Tank Assy
34	40582C	Hot Valve Assy
35	40597C	Gooseneck
36	92712C	Hot Valve Kit
37	51543C	Handle
38	40596C	Shroud
39	70921C	Mounting Nut
40	33659000	Body Gasket
41	50144C	Grommet-Compressor
42	70418C	Washer-Compressor
43	27058C	Cabinet-Sandalwood
	27059C	Cabinet-Stainless Steel
	27061C	Cabinet-Granite
44	36016C	Cord - Power 230V
NS	21482C	Front Panel-Sandalwood
	20460C	Front Panel-Stainless Steel
	27358C	Front Panel-Granite

*REPLACE WITH SAME COMPRESSOR USED IN ORIGINAL ASSEMBLY. NOTE: All correspondence pertaining to ELKAY water coolers or orders for repair parts MUST include Model No. and Serial No. of cooler, name and part number of replacement part.