

Space-ette™ With FLEXI-GUARD®

Installation/Care/Use Manual

USES HFC-134A REFRIGERANT

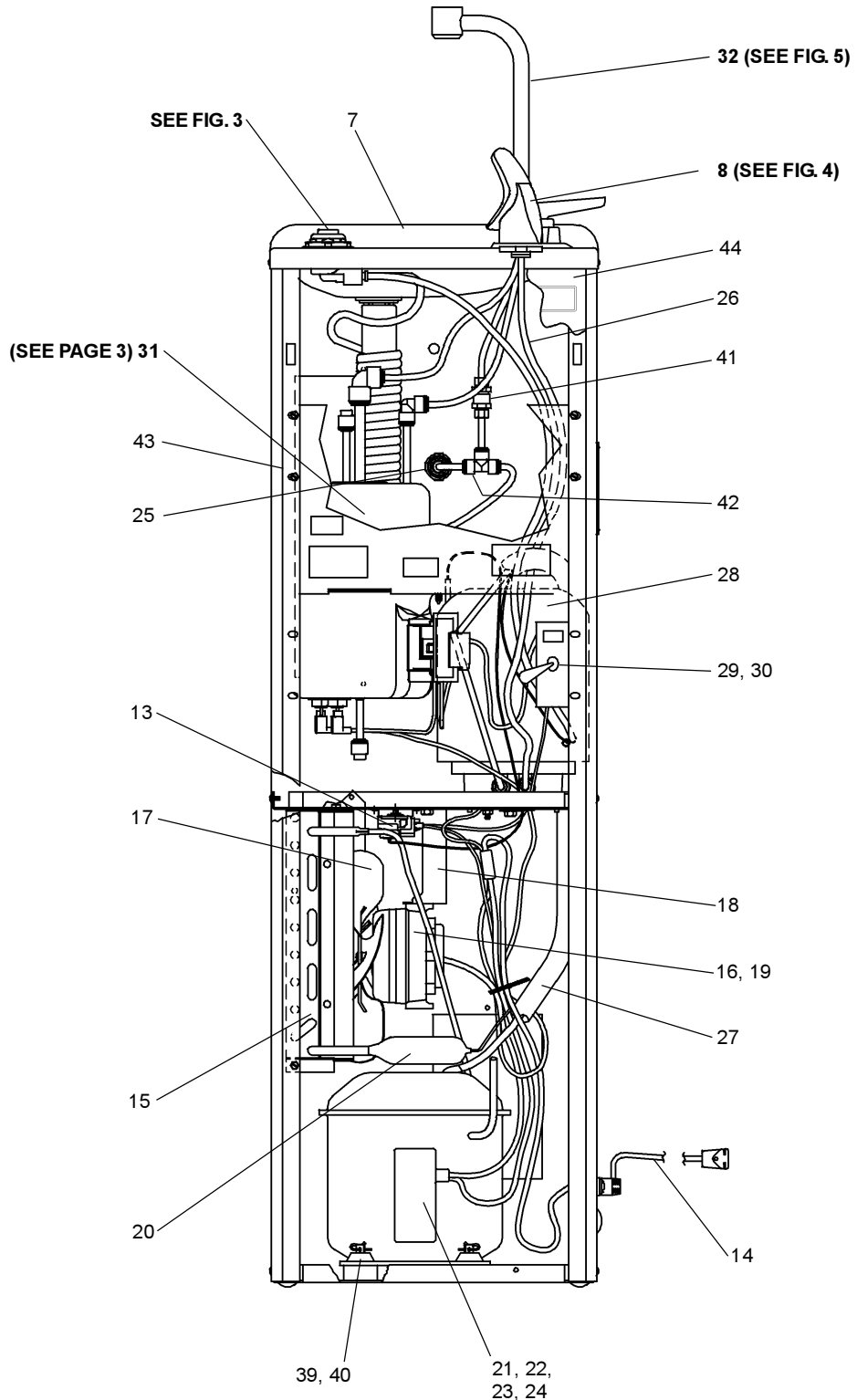


FIG. 1

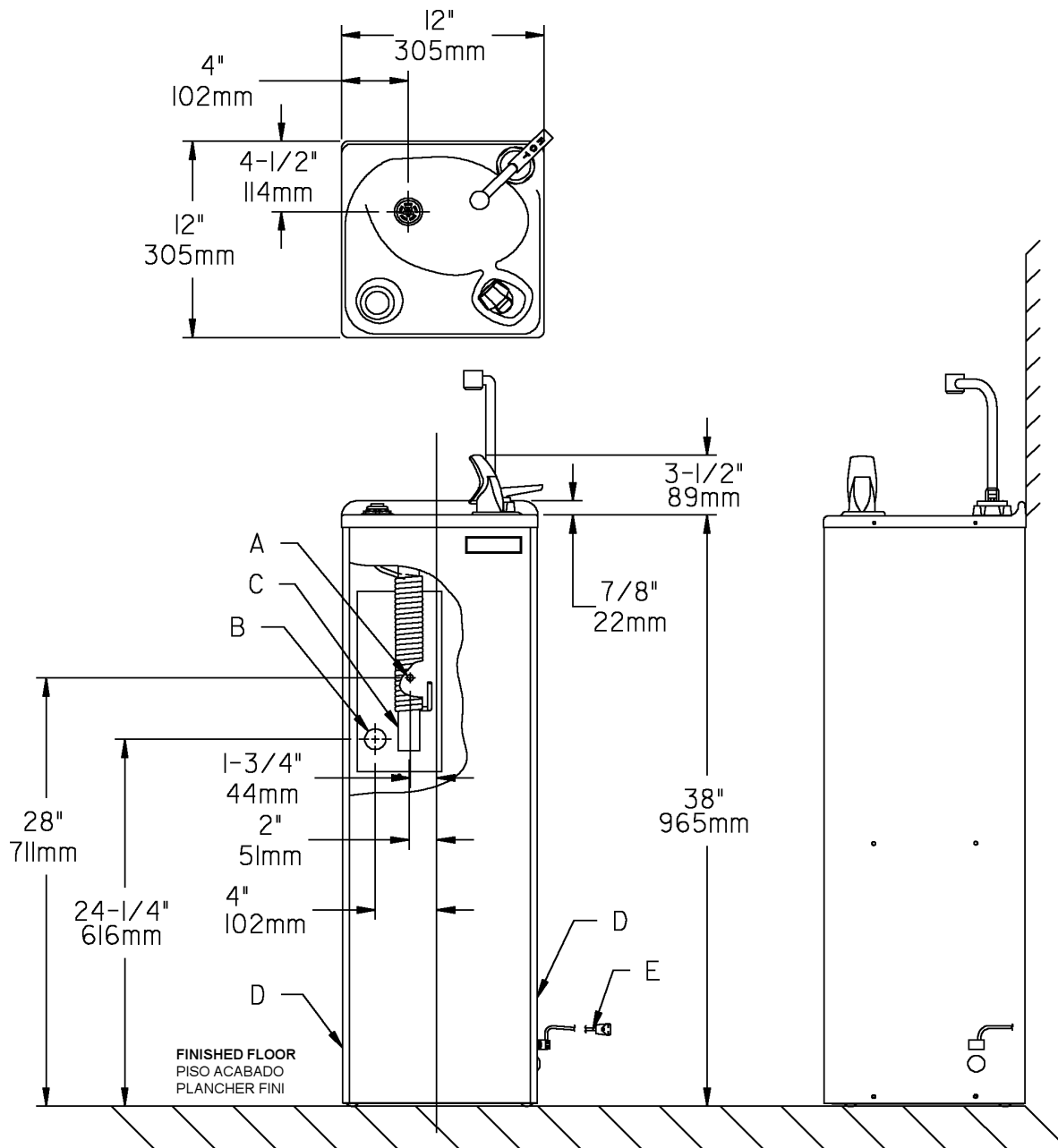


FIG. 2

LEGEND/LEYENDA/LÉGENDE

A = RECOMMENDED WATER SUPPLY LOCATION 3/8 O.D. UNPLATED COPPER TUBE CONNECT STUB 1-1/2" (38mm) OUT FROM WALL SHUT OFF BY OTHERS

SE RECOMIENDA UBICAR EL TUBO DE CONEXIÓN AL TUBO DE COBRE SIN CHAPAR DE 3/8" DE DIAM. EXT. A 1-1/2" (38mm) FUERA DE LA LLAVA DE PASO EN LA PARED COLOCADA POR TERCEROS.

EMPLACEMENT RECOMMANDÉ D'ALIMENTATION EN EAU PAR TUBE EN CUIVRE NON PLAQUÉ DE 3/8 PO. (9,5mm) D.E. CONNECTANT UNE TUYAUTERIE DE 1-1/2 PO. (38mm) DEPUIS LE ROBINET D'ARRET FOURNI PAR D'AUTRES.

B = RECOMMENDED LOCATION FOR WASTE OUTLET 1-1/4" O.D. DRAIN

UBICACIÓN RECOMENDADA PARA EL DRENAJE DE SALIDA DE AGUA, DE 1-1/4" DE DIÁMETRO.

EMPLACEMENT RECOMMANDÉ POUR LE DRAIN DE D.E. 1-1/4" DE SORTIE D'EAU.

C = 1-1/4 TRAP NOT FURNISHED

PURGADOR DE 1-1/4 NO PROPORCIONADO

SIPHON 1-1/4 NON FOURNI

D = INSURE PROPER VENTILATION BY MAINTAINING 4" (102mm) (MIN.) CLEARANCE FROM CABINET LOUVERS TO WALL.

ASEGURE UNA VENTILACIÓN ADECUADA MANTENIENDO UN ESPACIO E 4" (102mm) (MÍN.) DE HOLSURA ENTRE LA REJILLA DE VENTILACIÓN DEL MUEBLE Y LA PARED

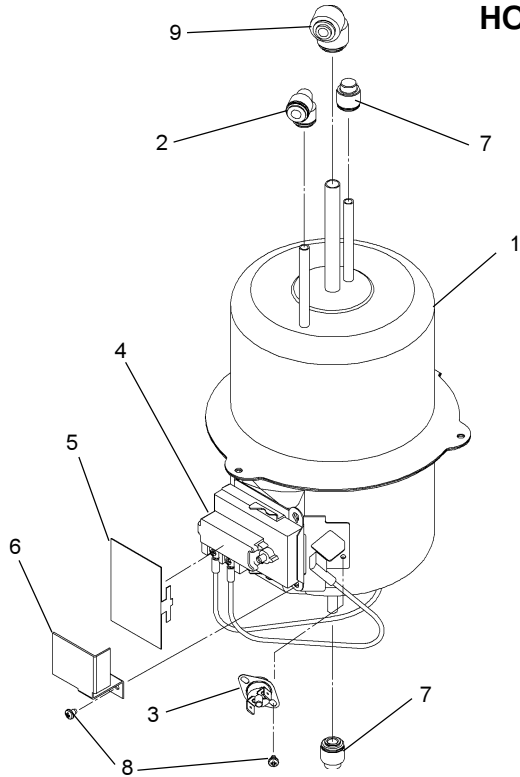
ASSUREZ-VOUS UNE BONNE VENTILATION EN GARDANT 4" (102mm) (MÍN.) ENTRE LES ÉVENTS DE L'ENCEINTE ET LE MUR.

E = POWER CORD 4 FEET (1219mm) LONG

CABLE ELÉCTRICO DE 4 PIE (1219mm), DE LARGO

CORDON D'ALIMENTATION 4' (1219mm)

HOT TANK ASSEMBLY



HOT TANK PARTS LIST

ITEM NO.	PART. NO.	DESCRIPTION
1	A54732	Hot Tank Weldment Assy. 220V
2	70793C	1/4 Elbow
3	A54729	Thermostat
4	30511C	Hot Control
5	50226C	Hot Control Insulator
6	28365C	Thermostat Bracket
7	70606C	Drain Plug
8	70302C	Screw #6-32 x 3/16" PHTC
9	70836C	3/8 x 1/4 Elbow
NS	28369C	Hot Tank Assy. Mntg. Bracket

Stream height is factory set at 35 PSI. If supply pressure varies greatly from this, remove Items 1 & 2 and adjust screw on Item 4. Clockwise adjustment will raise stream and counter-clockwise adjustment will lower stream. For best adjustment, stream should hit basin approximately 6-1/2" (165mm) from bubbler.

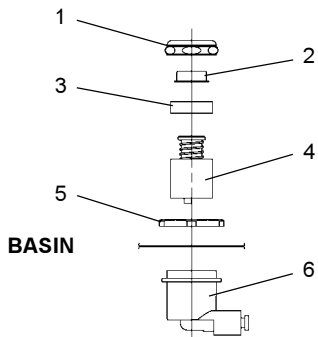
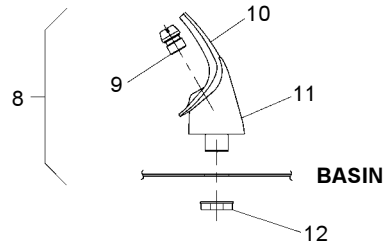


FIG. 3



NOTE:
WHEN INSTALLING REPLACEMENT BUBBLER AND PEDESTAL, TIGHTEN NUT (ITEM 12) ONLY TO HOLD PARTS SNUG IN POSITION. **DO NOT OVER TIGHTEN.**

FIG. 4

WIRING DIAGRAM

This Drawing is merely for illustrating the components of the electrical system.

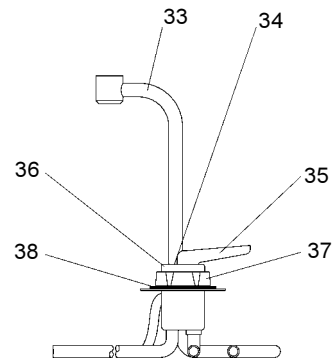
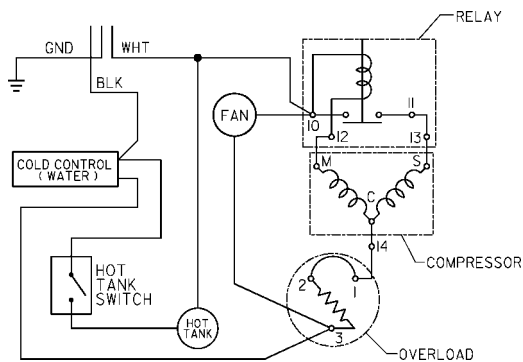


FIG. 5

PARTS LIST 220V

ITEM NO.	PART NO.	DESCRIPTION
1	40089C	Cover
2	40048C	Button
3	15005C	Regulator Retaining Nut
4	61313C	Regulator
5	40169C	Hex Nut
6	50986C	Regulator Holder
7	45439C	Basin & Precooler Assy
8	56073C	Bubbler Assy
9	40322C	Orifice Assy
10	56011C	Housing Assy
11	55997C	Pedestal
12	75580C	Nut - 3/8"-18 Locking
13	31513C	Cold Control
14	31455C	Cord - Power "JB"
	31456C	Cord - Power "JC"
	31457C	Cord - Power "JD"
	31458C	Cord - Power "JJ"
	31459C	Cord - Power "JS"
	31460C	Cord - Power "JM"
15	66303C	Condenser
16	31430C	Fan Motor
17	30664C	Fan Blade
18	20282C	Fan Bracket
19	70018C	Fan Blade Nut
20	66200C	Drier
21*	35788C	Compressor Serv. Pak
22	31035C	Overload/Relay Assy
23	31797C	Cover - Relay
24	194243901550	Electrical Shield
25	55996C	Strainer
26	56092C	Poly Tubing (Cut to Length)
27	66300C	Heat Exchanger
28	66504C	Evaporator
29	21591C	Hot Tank Switch Bracket
30	30010C	Hot Tank Switch
31	36155C	Hot Tank Assy
32	45786C	Hot Valve Assy
33	40597C	Gooseneck
34	92712C	Hot Valve Kit
35	51543C	Handle
36	40596C	Shroud
37	70921C	Mounting Nut
38	33659000	Body Gasket
39	50144C	Grommet-Compressor
40	70418C	Washer-Compressor
41	55832C	Flow Regulator Assy.
42	70682C	Fitting - Tee 1/4
43	27058C	Cabinet-Sandalwood
	27059C	Cabinet-Stainless Steel
	28196C	Cabinet-Light Grey
44	21482C	Front Panel-Sandalwood
	20460C	Front Panel-Stainless Steel
	21959C	Front Panel-Light Grey

*REPLACE WITH SAME COMPRESSOR USED IN ORIGINAL ASSEMBLY.
 NOTE: All correspondence pertaining to ELKAY water coolers or orders for repair parts MUST include Model No. and Serial No. of cooler, name and part number of replacement part.