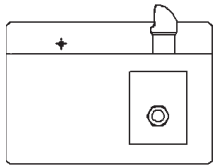
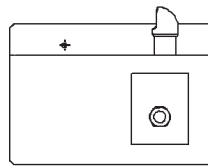
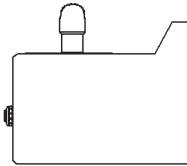


# Owners Manual

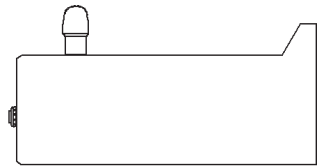
## Wall Mount Stone Fountains



4592



4593



### Installer

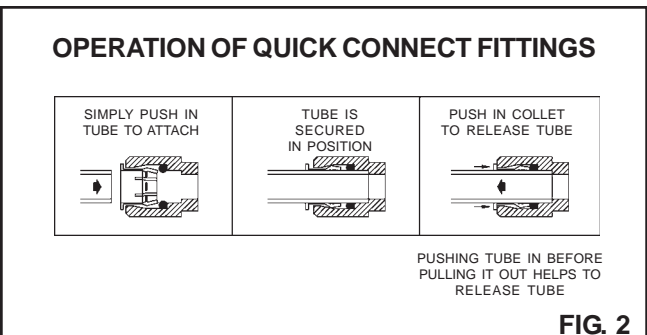
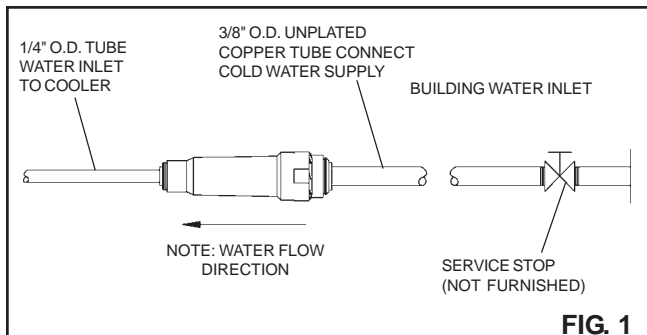
To assure you install this model easily and correctly, PLEASE READ THESE SIMPLE INSTRUCTIONS BEFORE STARTING THE INSTALLATION. CHECK YOUR INSTALLATION FOR COMPLIANCE WITH PLUMBING, ELECTRICAL AND OTHER APPLICABLE CODES. After installation, leave these instructions inside the fountain for future reference.

### IMPORTANT

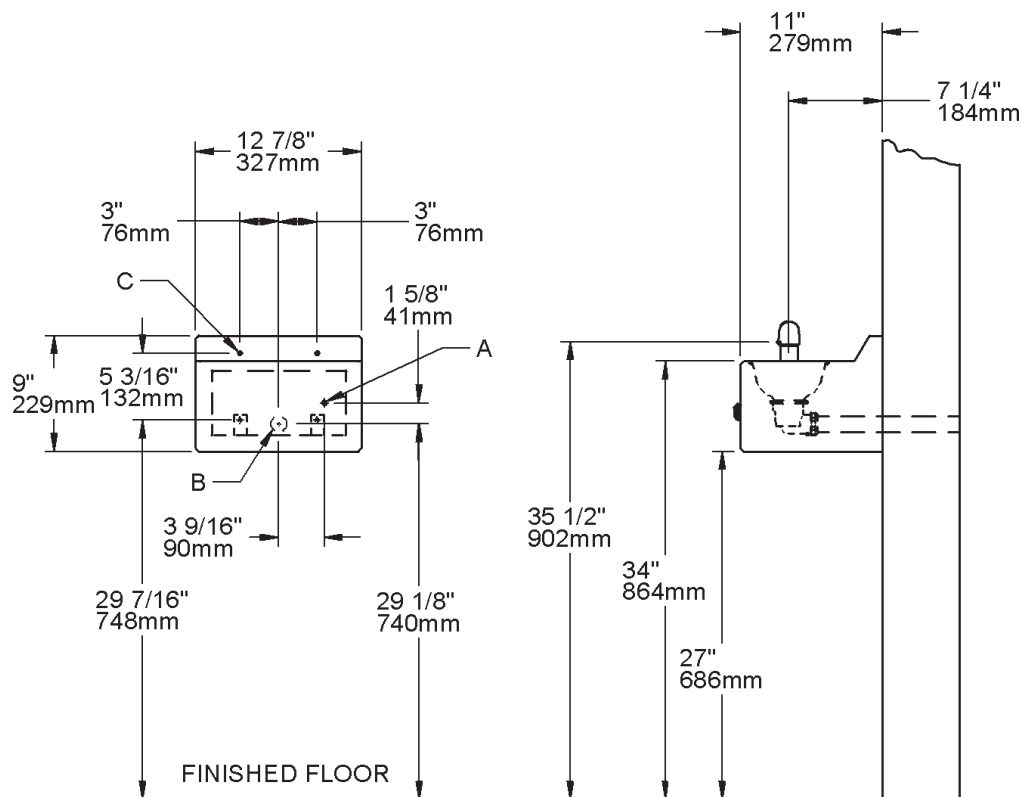
**ALL SERVICE TO BE PERFORMED BY AN AUTHORIZED SERVICE PERSON**

### IMPORTANT! INSTALLER PLEASE NOTE.

THE GROUNDING OF ELECTRICAL EQUIPMENT SUCH AS TELEPHONE, COMPUTERS, ETC. TO WATER LINES IS A COMMON PROCEDURE. THIS GROUNDING MAY BE IN THE BUILDING OR MAY OCCUR AWAY FROM THE BUILDING. THIS GROUNDING CAN CAUSE ELECTRICAL FEEDBACK INTO A FOUNTAIN, CREATING AN ELECTROLYSIS WHICH CAUSES A METALLIC TASTE OR AN INCREASE IN THE METAL CONTENT OF THE WATER. THIS CONDITION IS AVOIDABLE BY USING THE PROPER MATERIALS AS INDICATED. ANY DRAIN FITTINGS PROVIDED BY THE INSTALLER SHOULD BE MADE OF PLASTIC TO ELECTRICALLY ISOLATE THE FOUNTAIN FROM THE BUILDING PLUMBING SYSTEM.



## 4592 ROUGH-IN

**LEGEND:**

- A** = RECOMMENDED WATER SUPPLY LOCATION, 3/8" O.D. UNPLATED COPPER TUBE CONNECT STUB 1-1/2" (38mm) OUT FROM WALL SHUT OFF VALVE BY OTHERS.  
**B** = RECOMMENDED LOCATION FOR WASTE OUTLET, 1-3/4" O.D. (44mm) DRAIN.  
**C** = (4) 5/16" (8mm) DIA. MOUNTING HOLES.

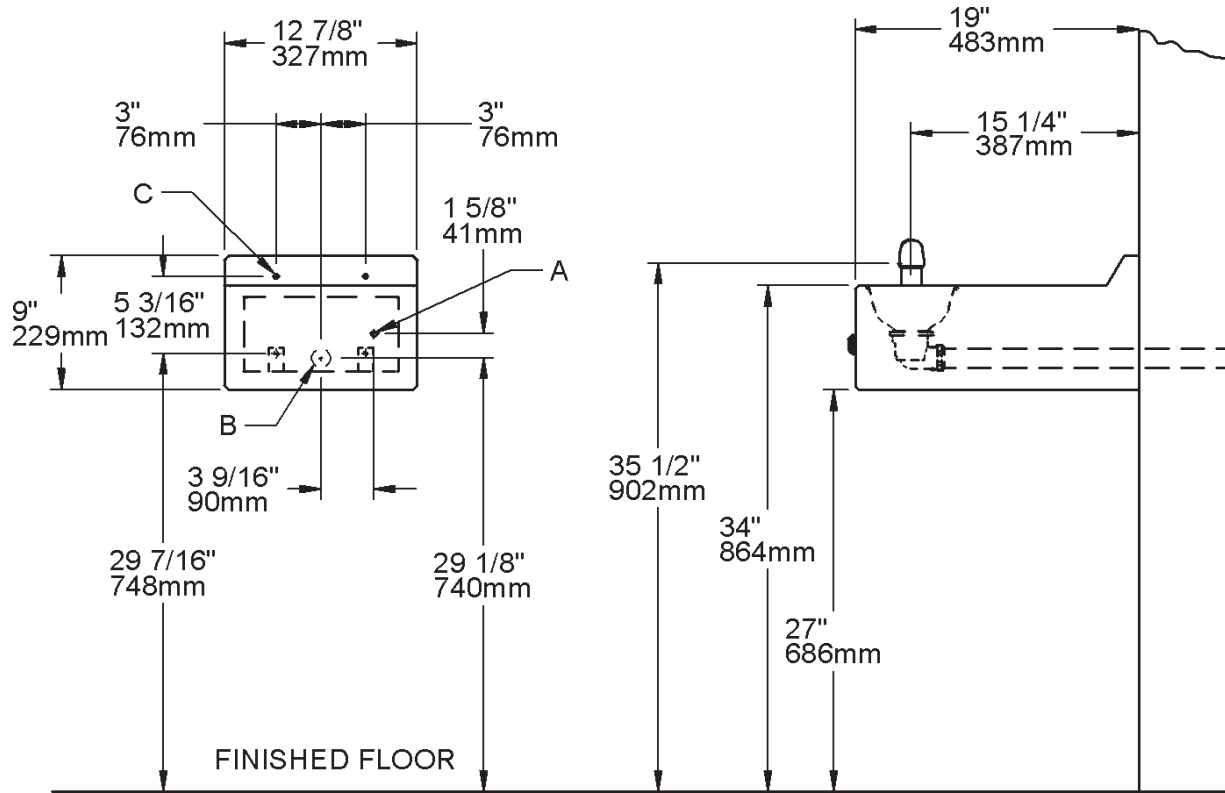
**GENERAL INSTRUCTIONS**

1. Water supply 3/8" O.D. unplated copper tube. Waste 1-1/4" O.D. Contractor to supply waste trap and service stop valve in accordance with local code.
2. Connecting lines to be made of unplated copper and should be thoroughly flushed to remove all foreign matter before being connected to fountain. This fountain is manufactured in such a manner that it does not in anyway cause taste, odor, color, or sediment problems.
3. Connect fountain to building supply line with a shut-off valve and install a 3/8" unplated copper waterline between the valve and the fountain. Remove any burrs from outside of water line and insert into inlet side of the strainer (see Fig.1) to a positive stop - approximately 3/4". (see Fig.2) **DO NOT SOLDER TUBES INSERTED INTO THE STRAINER AS DAMAGE TO THE O-RINGS MAY RESULT.**
4. These products are designed to operate on 20 psig to 105 psig supply line pressure. If inlet pressure is above 105 psig, a pressure regulator must be installed in the supply line. Any damage caused by reason of connecting this product to supply line pressures lower than 20 psig or higher than 105 psig is not covered by warranty.

**INSTALLATION INSTRUCTIONS**

1. This fountain is to be mounted on a smooth, flat, finished wall surface with adequate support structure.  
**NOTE: Wall mounting structure must be capable of supporting 300 lb. load on fountain.**
2. Establish rim height that fountain is to be mounted at.
3. Refer to rough-in for plumbing.
4. Locate and install trap. (trap not furnished)
5. Install shut-off valve on building water supply. (valve not furnished)
6. Locate and install fountain using 3/8" minimum lag screws or bolts. (screws or bolts not furnished)
7. Connect water supply and fountain drain.
8. Turn on water supply and check all connections for leaks.

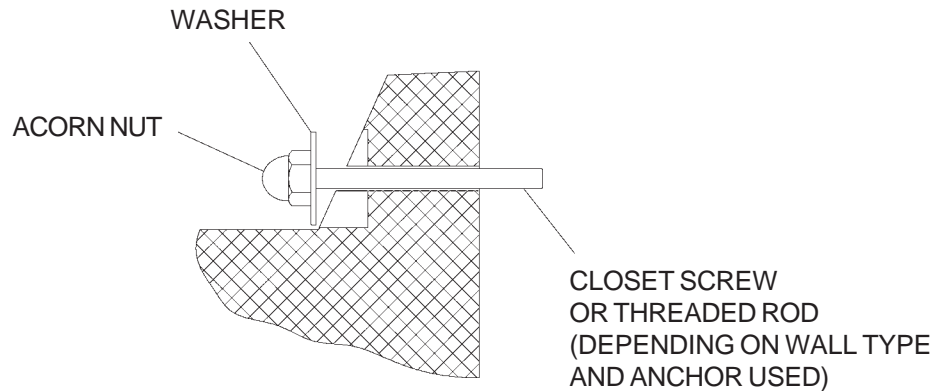
**4593 ROUGH-IN**



**LEGEND:**

- A = RECOMMENDED WATER SUPPLY LOCATION, 3/8" O.D. UNPLATED COPPER TUBE CONNECT STUB 1-1/2" (38mm) OUT FROM WALL SHUT OFF VALVE BY OTHERS.
- B = RECOMMENDED LOCATION FOR WASTE OUTLET, 1-3/4" O.D. (44mm) DRAIN.
- C = (4) 5/16" (8mm) DIA. MOUNTING HOLES.

**SUGGESTED CONFIGURATION FOR EXPOSED MOUNTING BOLTS**



**FIG. 3**

ITEMIZED PARTS LIST

ITEM NO.	PART NO.	DESCRIPTION
1	100147140560	Drain Gasket
2	100322740560	Bubbler Gasket
3	101570540560	Drain Gasket
4	15005C	Regulator Retaining Nut
5	15013C	Bubbler Tube Assy.
6	170705042830	Basin
7	40048C	Button
8	40089C	Nut - Cover
9-A	400942308640C	Bubbler
9-B	98287C	Bubbler Assembly
10	40169C	Hex Nut 1-5/16"-20UN
11	50986C	Regulator Holder
12	55996C	In-Line Strainer
13	56092C	Poly Tubing (Cut To Length)
14	56121C	Drain Elbow
15	600985551640	Drain Plug Assy.
16	61313C	Regulator
17	66346C	Drain Tube
18	70683C	Union - 1/4
19	75588C	Slip Joint Nut 1-1/4
20	75589C	Gasket

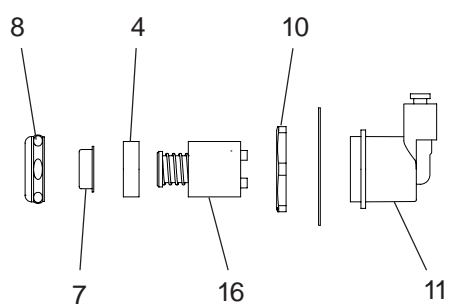
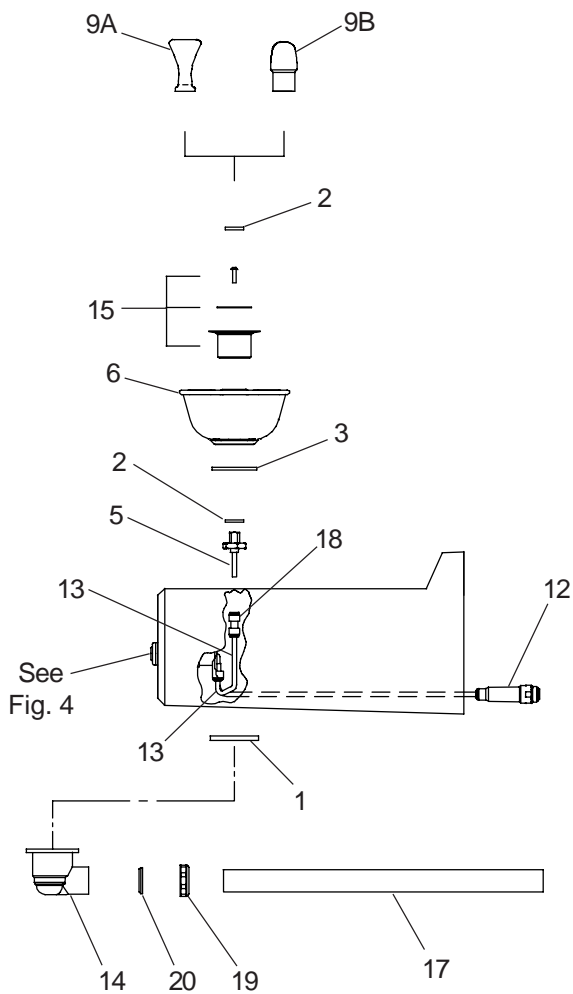


FIG. 4

4593 SHOWN

**STREAM HEIGHT ADJUSTMENT:** Stream height is factory set at 35 PSI. If supply pressure varies greatly from this, remove items 7 and 8 (see Fig.4) and adjust screw on item 16. Clockwise adjustment will raise stream and counterclockwise adjustment will lower stream. For best adjustment, stream should hit basin approx. 6-1/2" from bubbler.

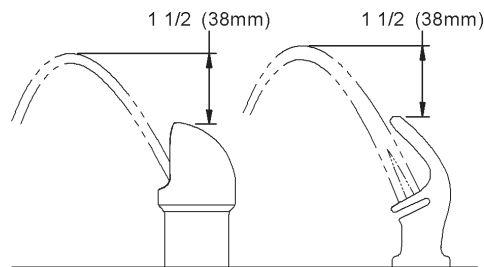


FIG. 5

TROUBLE SHOOTING AND MAINTENANCE

**Orifice Assy:** Mineral deposits on orifice can cause water flow to spurt or not regulate. Mineral deposits may be removed from the orifice with a small round file not over 1/8" diameter or small diameter wire.

**CAUTION: DO NOT** file or cut orifice material.

**Stream Regulator:** If orifice is clean, regulate flow as in "Stream Height" instructions above. If replacement is necessary, see parts list for correct regulator part number.

**Actuation of Quick Connect Water Fittings:** Cooler is provided with lead-free connectors which utilize an o-ring water seal. To remove tubing from the fitting, relieve water pressure, push in on the gray collar while pulling on the tubing. (See Fig.2) To insert tubing, push tube straight into fitting until it reaches a positive stop, approximately 3/4".