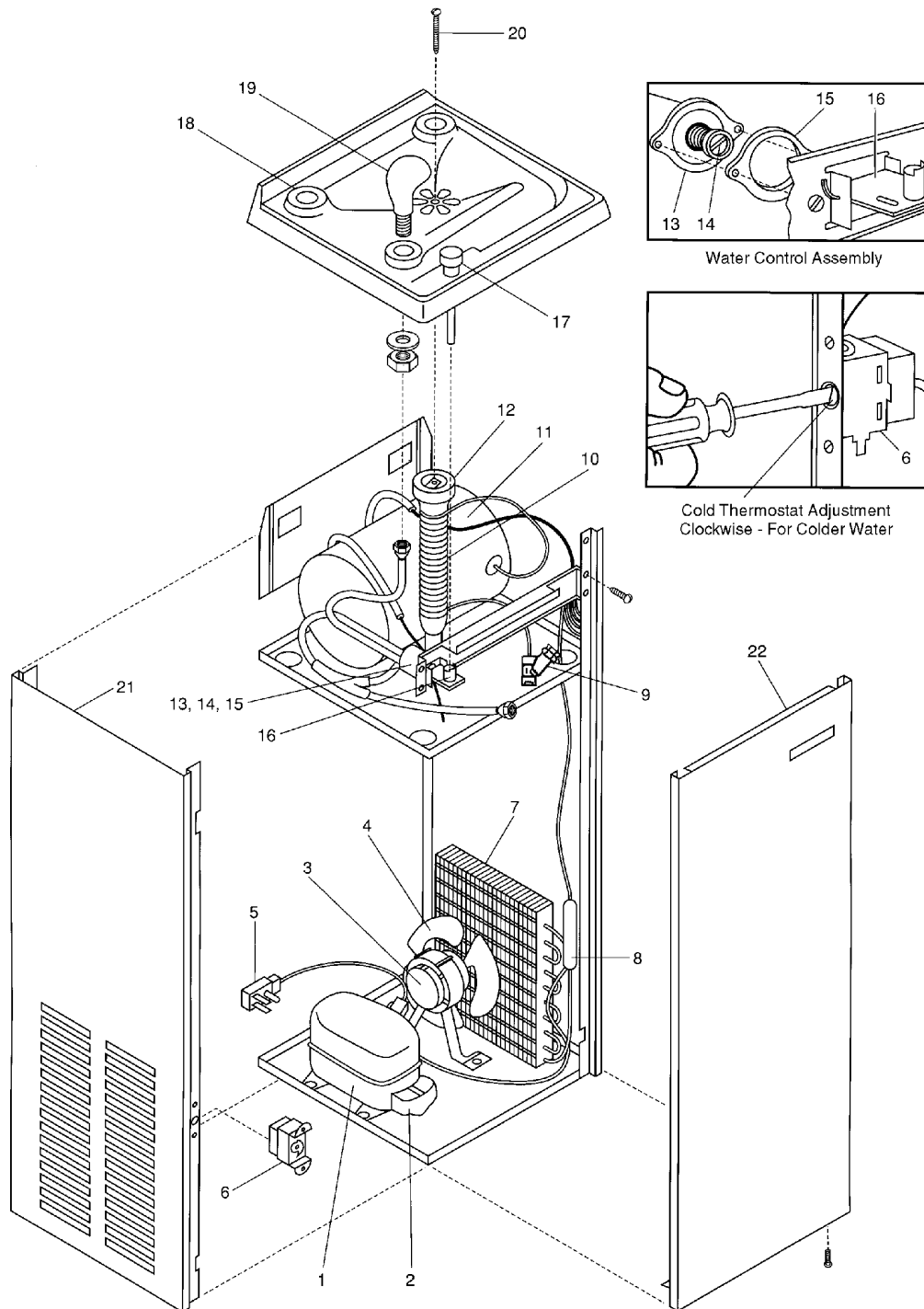


# FLOOR STANDING WATER COOLER

## NSF-14



## Parts List for Water Cooler Model: NSF-14

ITEM	PART NUMBER	DESCRIPTION
1	AA00005-SP	Compressor AE34254
	AA00027-SP	Compressor 115V (uses Spade Connections)
2	AA00005-T1	Overload MAT24ALN-34
	AA00005-T2	Relay 9660-040-166
	C026403-10	Relay MRP26ALL-69 (uses Spade Connections)
	C026411-06	Overload 9660-042-166 (uses Spade Connections)
3	B153475	Fan Motor (eyelet)
	D036186-02	Fan Motor (uses Spade Connections)
4	C025756	Fan Blade
5	C026081	Wiring Harness (eyelet)
	C026392-01	Wiring Harness (uses Spade Connections)
	C026382-04	16" Wire Assembly (uses Spade Connections)
6	A016241	Cold Thermostat (eyelet)
	C026376-03	Cold Thermostat (uses Spade Connections)
7	C026101	Condenser
8	AA00004	Drier
9	A020938-01	"Y" Strainer
10	B154148-SP	Precooler
11	C026072-SP	Evaporator
12	A015671	Drain Washer
13	10947-003-SP	Water Control Assembly
14	B153468-01	Cartridge
15	A015240	Fiber Washer
16	A015950-02	Toggle Lever
17	A017272-01	Push Button
18	A016519	Hole Cover
19	C026293-SP	Cobra Spout (metal)
	11432	Safety-Gard™ Spout Assy (Optional)
20	A016762	Drain Screw
21	D035800-19	Side Panel - Pewter
	D035800-31	Side Panel - Stainless Steel
22	D035804-19	Front Panel - Pewter
	D035804-31	Front Panel - Stainless Steel

NOTE: Contact service department for information on compressors not shown on this page. This sheet cancels all previous lists for this model.