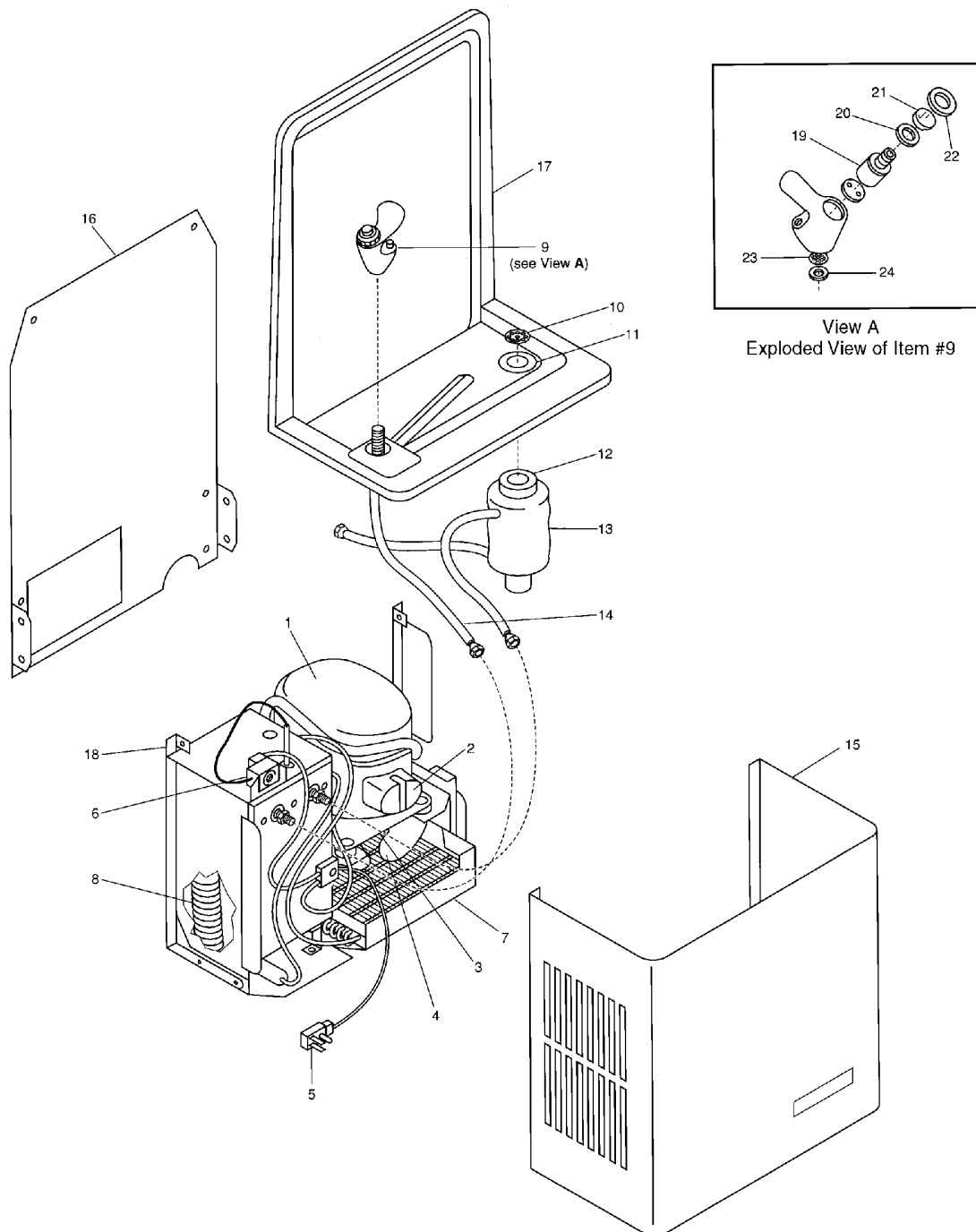


# WALL MOUNTED WATER COOLER

## PSR-8 & PSR-12



### Instructions for changing the Cartridge in A020038 (Lead Free)

1. Turn off water shut-off valve
2. Unscrew hex nut
3. Remove button
4. Remove retaining nut with spanner wrench
5. Remove Cartridge and gasket
6. Insert new cartridge
7. Reassemble reversing above sequence

## Parts List for Water Cooler Models: PSR-8 & PSR-12

ITEM	PART NUMBER	DESCRIPTION
1	AA00005-SP	Compressor 1/5 h.p.
	AA00027-SP	Compressor 115V (uses Spade Connections)
2	AA00005-T1	Overload
	AA00005-T2	Relay
	C026403-10	Relay MRP26ALL-69 (uses Spade Connections)
	C026411-06	Overload 9660-042-166 (uses Spade Connections)
3	B153475	Fan Motor (eyelet)
	D036186-02	Fan Motor (uses Spade Connections)
4	C026053	Fan Blade
5	B153391	Wiring Harness (eyelet)
	C026392-01	Wiring Harness
	C026382-04	16" Wire Assembly
6	A016241	Cold Thermostat (eyelet)
	C026376-03	Cold Thermostat
7	C026226	Condenser
8	323-SP	Evaporator
9	B153425-01	Bubbler
10	A016876	Drain Grid
11	A016880	Drain Fitting
12	A015982	Rubber Washer
13	B153755-SP	Precooler PSR-12
	A015981	Drain PSR-8
14	A015786-SP	Cold Water Line
15	D035711-19	Apron Pewter
	D035711-31	Apron Stainless Steel
16	B153461	Mounting Bracket
17	D035348	Basin
18	B153366-34	Refrigeration Unit Bracket
19	B153468-01	Cartridge
20	A020957	Retainer Nut
21	A016649	Chrome Cap
22	A016648	Hex Nut
23	A018782	Screen
24	A021095	Washer

NOTE: Contact service department for information on compressors not shown on this page. This sheet cancels all previous lists for this model.