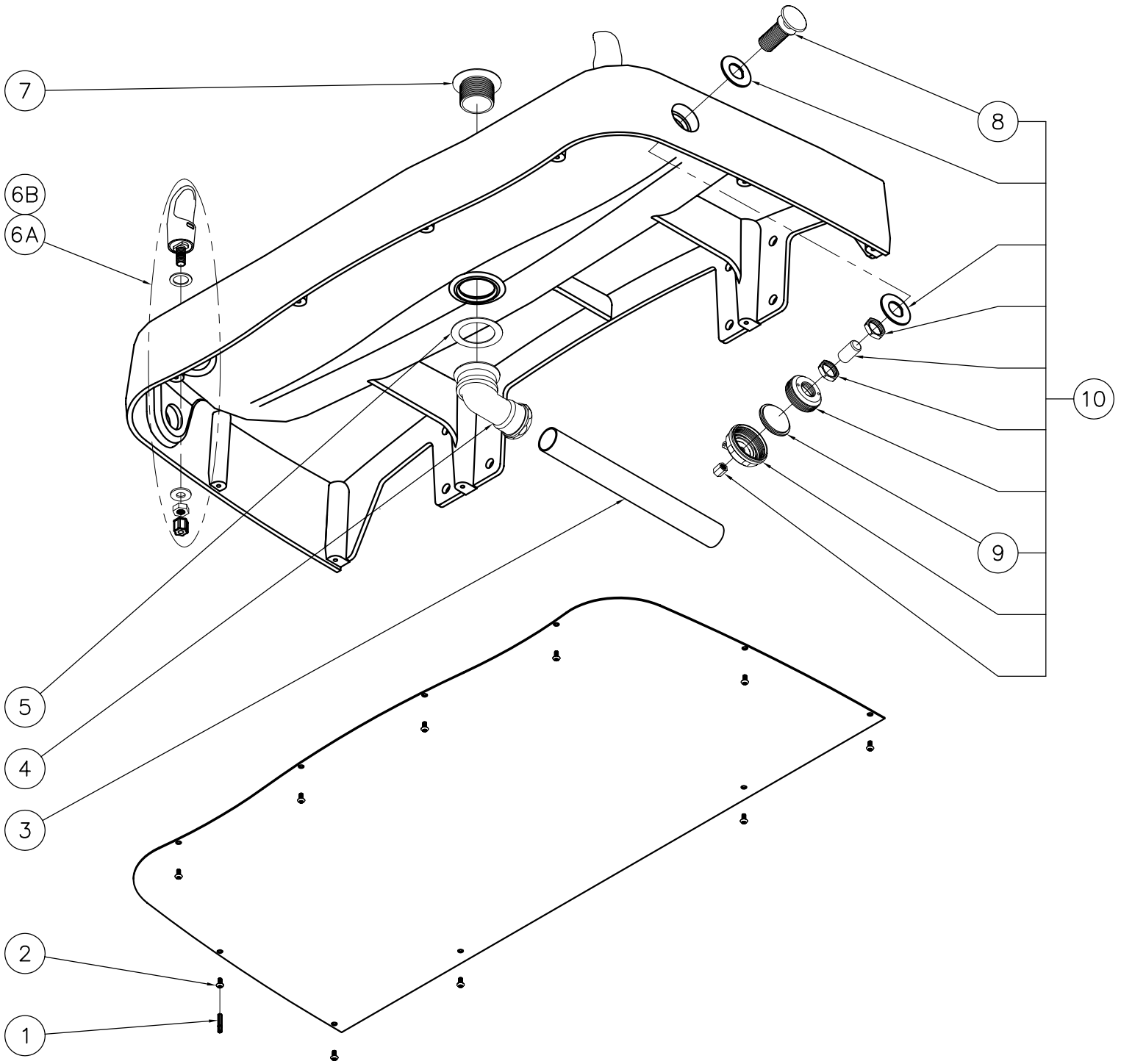


INSTALLATION INSTRUCTIONS:

- A- IF NOT USING OPTIONAL -CSC CONCEALED SUPPORT CARRIER OR OPTIONAL -MP3 MOUNTING PLATE AND HARDWARE, THEN STRUCTURALLY REINFORCE THE WALL BEHIND THE EIGHT 1/2" DIAMETER MOUNTING HOLES (1) AT THE DIMENSIONS SHOWN AND INSTALL WALL ANCHORS BY OTHERS.
- B- PROVIDE PENETRATION (2) THRU WALL FOR 1-1/4" OUTER DIAMETER ELBOW WASTE OUTLET AND 1" DIA. PENETRATION (3) THRU WALL FOR THE AIR AND SUPPLY TUBING. REQUIRED THRU WALL INSULATION AND CONDUIT BY OTHERS.
- C- CAREFULLY REMOVE FIXTURE (4) AND COMPONENTS FROM THE PACKAGING PREVENTING SCRATCHING AND DAMAGE.
- D- REMOVE BOTTOM PLATE (5). ENSURE THE PUSHBUTTONS (6) AND BUBBLERS (7) DID NOT COME LOOSE IN SHIPMENT.
- E- SECURELY ANCHOR FIXTURE (4) TO WALL THRU MOUNTING HOLES (1) WITH ANCHORING HARDWARE BY OTHERS.

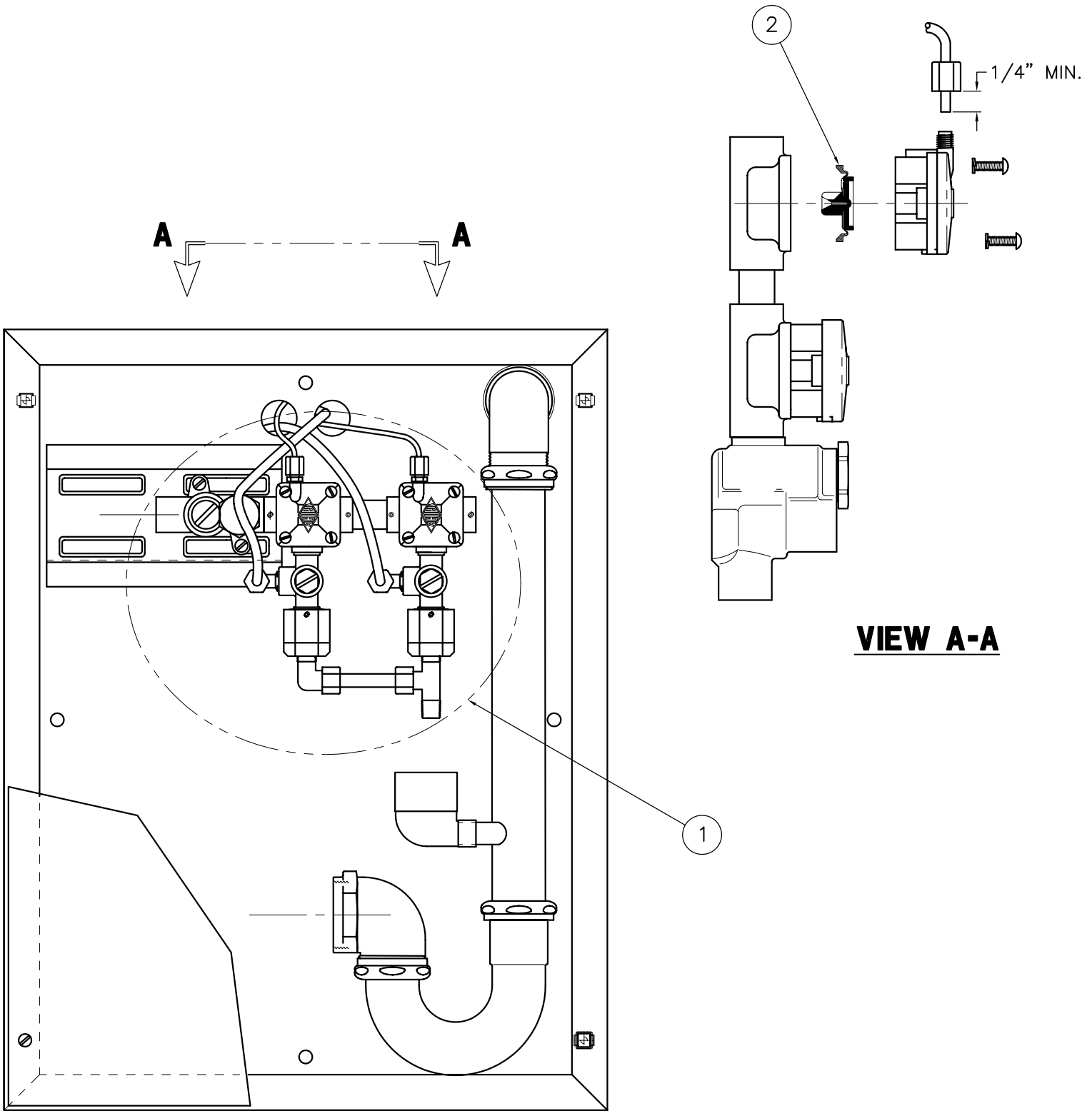
- F- ASSEMBLE ELBOW AND TAILPIECE (9) TO GRID STRAINER (8). 1-1/4" O.D. WASTE EXTENSION (10) THRU WALL BY OTHERS.
- G- ANCHOR VALVE AND WASTE BOX (11) ON INTERIOR WALL BY ALIGNING ELBOW (12) WITH THE FIXTURE WASTE OUTLET (9). ANCHORING HARDWARE BY OTHERS.
- H- MAKE-UP 1-1/2" IPS WASTE CONNECTION (13).
- I- CONNECT TUBING FROM VALVE THRU PENETRATION (3) TO PUSHBUTTONS (6) AND BUBBLERS (7).
- J- FLUSH WATER SUPPLY BY OTHERS OF ALL DEBRIS PRIOR TO CONNECTING TO FIXTURE. CONNECT 1/2" IPS SUPPLY INLET (14) PIPING.
- K- TEST OPERATION OF BUBBLERS (7) BY DEPRESSING BUTTONS (6). CHECK ALL CONNECTIONS AND WASTE PIPING FOR LEAKS. CORRECT IF PRESENT.
- L- ATTACH COVER (15) TO VALVE BOX (11) AND RE-INSTALL THE BOTTOM PLATE (5) TO FIXTURE (4) WITH SCREWS PROVIDED.

<p>ACORN AQUA P.O. Box 3527 City of Industry, CA 91744 Phone: (800) 591-9360 www.acornaqua.com</p>	<p>TITLE OPTIONAL -FRA2 TWO STATION FREEZE RESISTANT VALVE</p>		
	<p>MANUFACTURE DATE</p> <p>JANUARY 2006</p> <p>TO PRESENT</p>	<p>DATE ISSUED</p> <p>09/27/05</p>	<p>DRAWING NUMBER</p> <p>9938-043-001</p>
		<p>DATE REVISED</p> <p>12/13/05</p>	



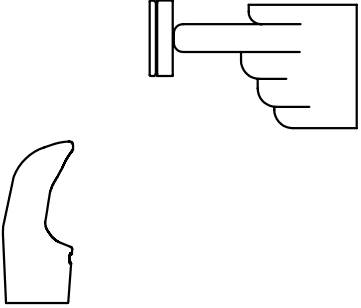

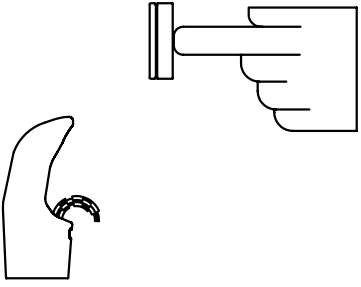
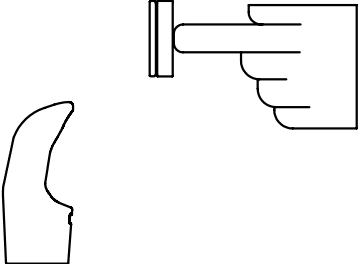
1	0296-025-199	CENTER REJECT HEX DRIVER BIT	6B	7000-412-002	"F" OPTION FLEXIBLE BUBBLER ASSEMBLY
2	0112-002-000	CENTER REJECT ALLEN BUTTON HEAD SCREW	7	7000-018-199	1-1/4" NPSM GRID STRAINER
3	7000-113-199	1-1/4" OUTER DIAMETER DRAIN TUBE	8	7004-611-002	PUSH BUTTON
4	7000-017-001	ELBOW ASSEMBLY	9	2566-001-000	DIAPHRAGM
5	0431-223-000	RUBBER GASKET	10	7004-611-001	PUSH BUTTON ASSEMBLY - CAST ALUMINUM
6A	7000-003-001	STANDARD CHROME PLATED BRASS BUBBLER			
ITEM	PART NUMBER	DESCRIPTION	ITEM	PART NUMBER	DESCRIPTION

<p>ACORN AQUA P.O. Box 3527 City of Industry, CA 91744 Phone: (800) 591-9360 www.acornaqua.com</p>	<p>TITLE FREEZE RESISTANT TWO STATION CAST ALUMINUM DRINKING FOUNTAIN</p>		
	<p>MANUFACTURE DATE</p> <p>JANUARY 2006</p> <p>TO PRESENT</p>	<p>DATE ISSUED</p> <p>11/09/05</p>	<p>DRAWING NUMBER</p> <p>9938-043-500</p>
		<p>DATE REVISED</p> <p>03/03/06</p>	




1	2589-401-001	2-STATION FREEZE-RESISTANT VALVE ASSY.	2	2563-010-001	WATER DIAPHRAGM ASSEMBLY
ITEM	PART NUMBER	DESCRIPTION	ITEM	PART NUMBER	DESCRIPTION
ACORN AQUA P.O. Box 3527 City of Industry, CA 91744 Phone: (800) 591-9360 www.acornaqua.com		TITLE OPTIONAL -FRA2 FREEZE RESISTANT VALVE ASSEMBLY			
MANUFACTURE DATE JANUARY 2006 TO PRESENT			DATE ISSUED 11/09/05	DRAWING NUMBER 9938-043-550	
			DATE REVISED		

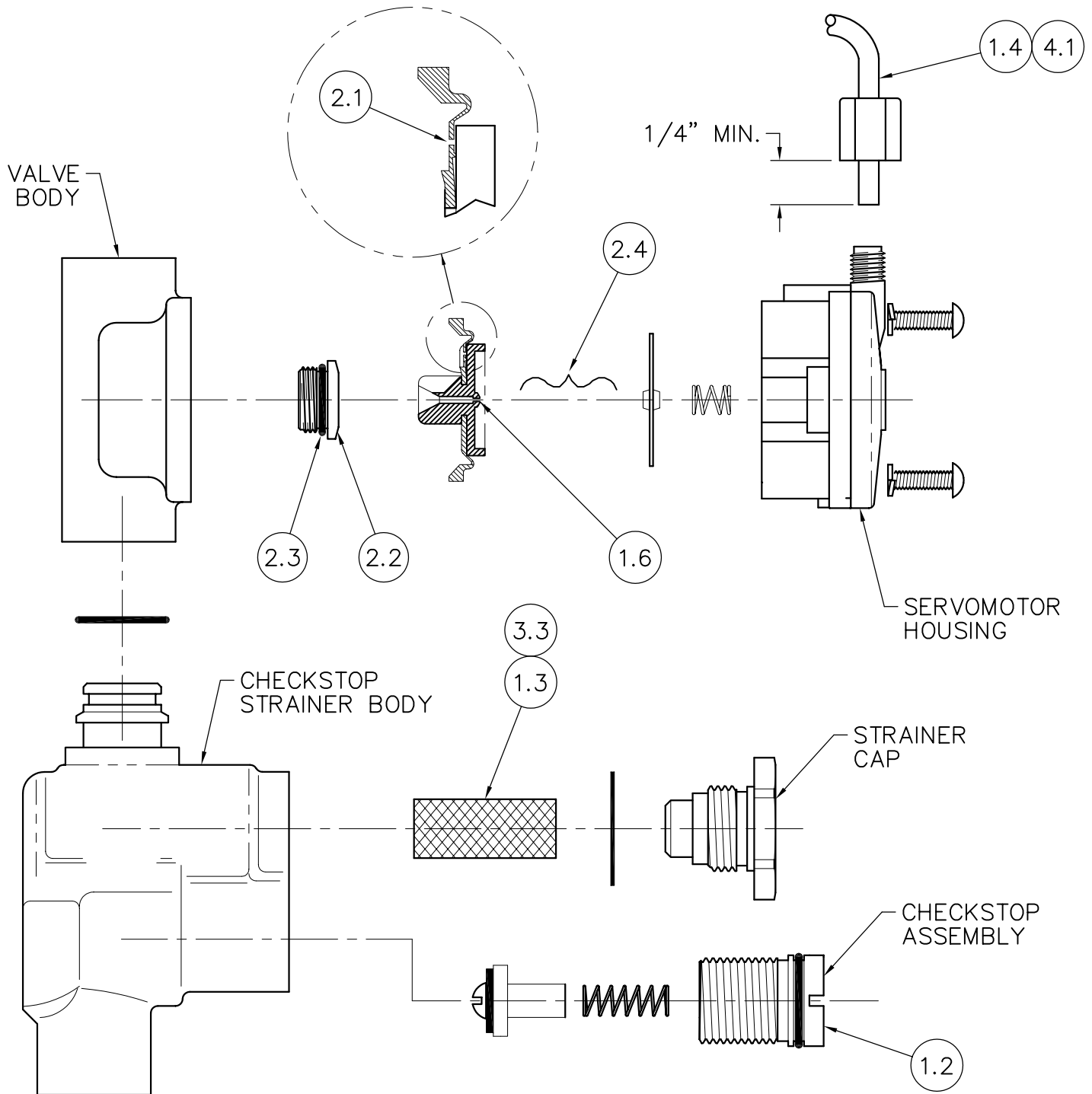
**PUSH PAD / PUSH BUTTON FREEZE RESISTANT DRINKING FOUNTAIN
NON-METERING AIR-CONTROLLED VALVE - (DIRECT ACTING)**

CONDITION:	SOLUTION:
<p>NO WATER FLOW:</p> 	<ol style="list-style-type: none"> 1.1 Check water main supply – open. 1.2 Inspect checkstops – open. 1.3 Inspect checkstop strainer for debris – clean. 1.4 Check 1/8” O.D. tubing and fittings for leaks. 1.5 Check pushbutton air diaphragm for holes. 1.6 Check servomotor diaphragm center hole for blockage.
<p>WATER DRIPS / WILL NOT SHUT OFF:</p> 	<ol style="list-style-type: none"> 2.1 Check servomotor diaphragm offset hole for debris. 2.2 Check servomotor seat for build-up or damage. 2.3 Check servomotor seat o-ring for damage. 2.4 Check servomotor plate and diaphragm for obstruction.
<p>REDUCED WATER FLOW:</p> 	<ol style="list-style-type: none"> 3.1 Check water main supply for 20 psig minimum flow pressure. 3.2 Check valve riser tubing for crimping. 3.3 Inspect checkstop strainer for debris – clean. 3.4 Check valve flow control for blockage – clean. 3.5 Inspect bubbler for debris – clean.
<p>PREMATURE WATER SHUTOFF:</p> 	<ol style="list-style-type: none"> 4.1 Check 1/8” O.D. tubing and fittings for leaks. 4.2 Check pushbutton air diaphragm for holes.

Refer to Air-Controlled Valve Maintenance Detail on drawing # 9940-203-001 for -FRA_ Above Ground units and on drawing # 9940-204-001 for -FRU_ Below Ground units to locate solutions above.

 <p>ACORN AQUA P.O. Box 3527 City of Industry, CA 91744 Phone: (800) 591-9360 www.acornaqua.com</p>	<p>TITLE FREEZE RESISTANT DRINKING FOUNTAIN VALVE MAINTENANCE INSTRUCTIONS</p>		
	<p>MANUFACTURE DATE JANUARY 2006 TO PRESENT</p>	<p>DATE ISSUED 10/20/05</p>	<p>DRAWING NUMBER 9940-202-001</p>
		<p>DATE REVISED 12/07/05</p>	

**PUSH PAD / PUSH BUTTON ABOVE GROUND FREEZE RESISTANT DRINKING FOUNTAIN
NON-METERING AIR-CONTROLLED VALVE - (DIRECT ACTING)**



CHECKSTOP STRAINER - SERVOMOTOR DETAIL

Refer to drawing #9940-202-001 for Valve Maintenance Instructions numbered solutions detailed above.

<p>ACORN AQUA P.O. Box 3527 City of Industry, CA 91744 Phone: (800) 591-9360 www.acornaqua.com</p>	<p>TITLE -FRA_ NON-METERING AIR-CONTROLLED VALVE MAINTENANCE INSTRUCTIONS</p>		
	<p>MANUFACTURE DATE</p> <p>JANUARY 2006 TO PRESENT</p>	<p>DATE ISSUED</p> <p>10/20/05</p>	<p>DRAWING NUMBER</p> <p>9940-203-001</p>
		<p>DATE REVISED</p> <p>12/07/05</p>	